

Vacuum cup UPG1000

Vacuum technology | Uplifter



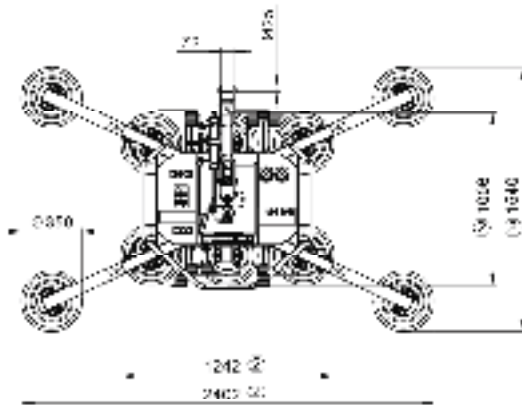
Load capacity	1.000 kg
Suction disc quantity	10 Pieces
Suction plate Diameter	Ø 350 mm
Curved discs	<input type="checkbox"/>
Lowering cylinder	<input checked="" type="checkbox"/>
Radio remote control	<input checked="" type="checkbox"/> optional
Dead weight max.	126,0 kg
Length max./min.	2,72/1,25 m
Wide max./min.	1,54/1,01 m
Inclination angle	90°
Rotatability	360° in 45° grid
Operating time	approx. 8.0 hours



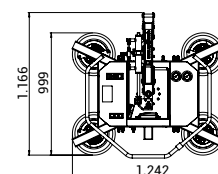
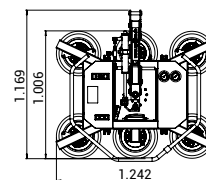
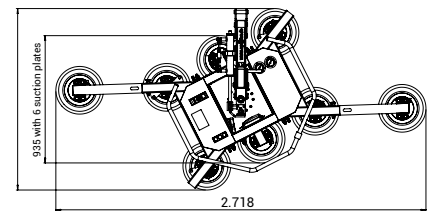
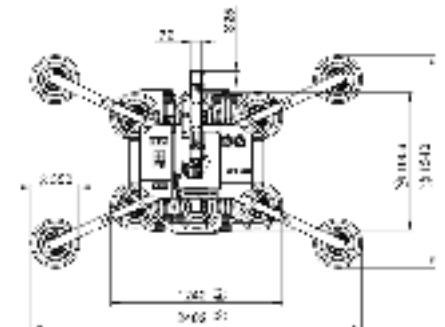
Radio remote control for vacuum suction and release



TIP
Easy handling of the vacuum cups on the construction site and for safe storage with the UPT200 transport cart.



Dimension



Due to the flat design of the UPG1000, applications are also possible behind scaffolding



Visit us on YouTube to see the UPG1000 in action in Taiwan.