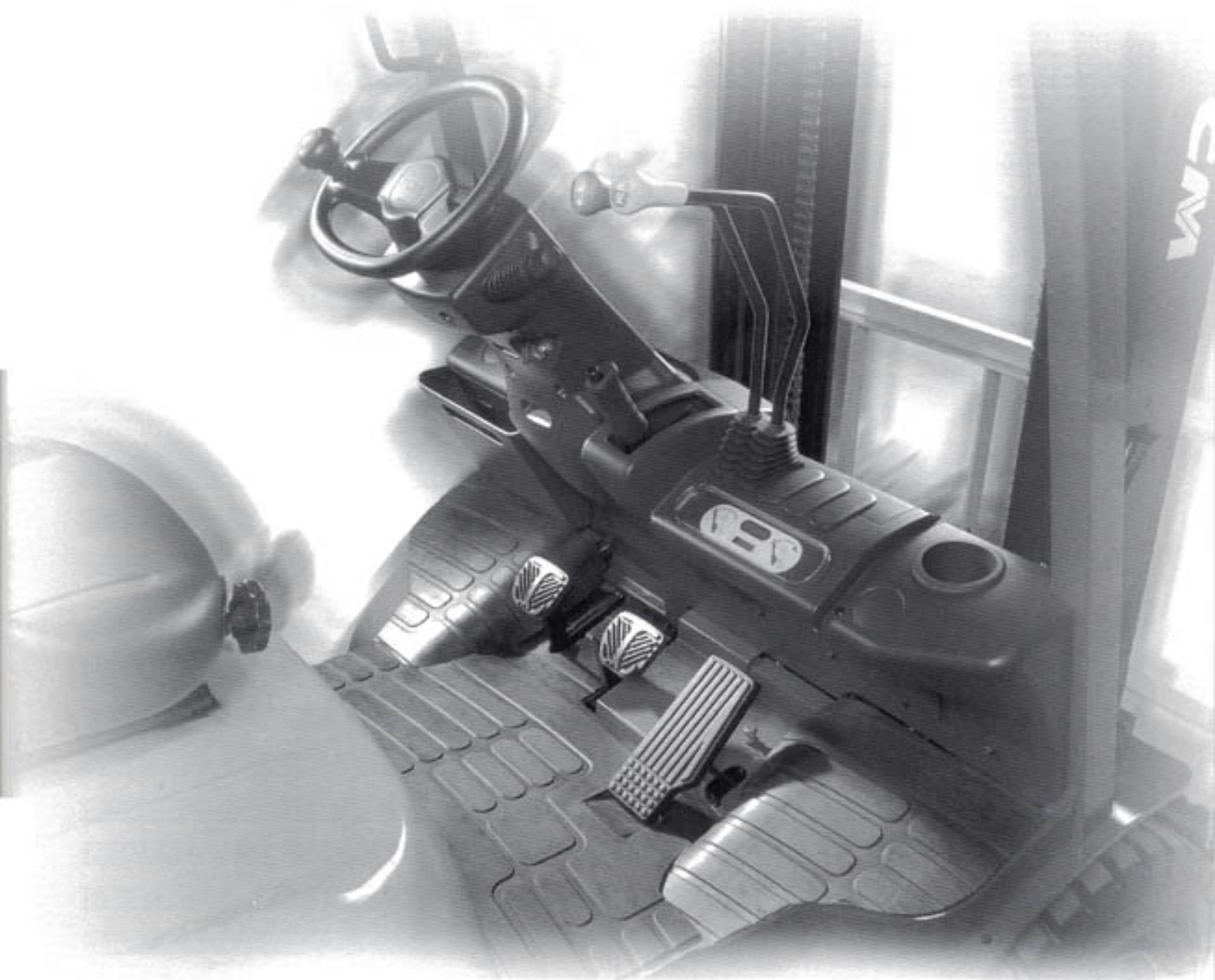


**TCM**



**DEBUT!**  
3.5t model.

*Innovative Machine*  
**INOMA**

*I.C. Engine-Powered Forklift Trucks  
2.0-3.5 ton  
(Counter-Balanced Type)*

**SPECIFICATIONS**

# STANDARD SPECIFICATIONS

Characteristics			TCM				
			FG20C3	FG20T3	FG25C3	FG25T3	
1	Manufacturer						
2	Model						
3	Load Capacity		2000		2500		
4	Load Center		500		500		
5	Power Type		Gasoline		Gasoline		
6	Operator Position		Seated		Seated		
7	Tire Type		Pneumatic		Pneumatic		
8	Wheels (x - driven)	Front / Rear	2X / 2		2X / 2		
9	Maximum Fork Height		3000		3000		
10	Free Lift		105		110		
13	Fork Size	L X W X T	1070 X 122 X 36		1070 X 122 X 40		
	Fork Spread (Outside)	Max. / Min.	1020 / 244		1020 / 244		
14	Tilt Angle	Fwd. / Bwd.	6 / 12		6 / 12		
15	Length to Fork Face		2485		2555		
16	Overall Width		1150		1150		
17	Mast Height Fork Lowered		2030		2030		
18	Mast Height Fork Raised		4030		4030		
19	Overhead Guard Height(EXB,EXK)		2070		2070		
	Overhead Guard Height(EXC,EXE,EXN)		2130		2130		
20	Operator's Seat Height		1045		1045		
21	Turning Radius (Outside)		2170		2240		
22	Load Distance (Centerline of front axle to front face of forks)		450		450		
	Rear Overhang		435		505		
23	Basic Right Angle Stacking Aisle Width (Add load length and clearance)		3925		3995		
24	Speeds	Travel, Max. (Fwd. / Rvs.)	Full Load	km/h	18.5	18.5	
			No Load	km/h	19	19	
		Lifting	Full Load	mm/sec	540	540	
			No Load	mm/sec	580	580	
		Lowering	Full Load	mm/sec	450	450	
			No Load	mm/sec	550	550	
28	Max. Drawbar Pull	Full Load	kN	12.3	16.7	12.3	16.7
		No Load	kN	8.3		8.3	
30	Max. Gradeability*	Full Load	%	20	26	19	24
		No Load	%	20		20	
32	Total Weight		3210		3570		
33	Weight Distribution	Full Load	Front	kg	4610	5350	
			Rear	kg	600	720	
		No Load	Front	kg	1430	1370	
			Rear	kg	1780	2200	
35	Tires	Number	Front / Rear	2 / 2		2 / 2	
		Size	Front	7.00-12-12PR(I)		7.00-12-12PR(I)	
			Rear	6.00-9-10PR(I)		6.00-9-10PR(I)	
38	Wheelbase		1900		1600		
39	Tread	Front	mm	970	970		
		Rear	mm	970	970		
	Backrest Height		1040		1040		
	Overhead Guard Clearance		1005		1005		
	Counterweight Height		1110		1110		
	Drawbar Pin Center Height		530		530		
	Step Height / Floor Height		435 / 650		435 / 650		
40	Underclearance	Min. with Load	mm	110	110		
		Center of Wheelbase	mm	120	120		
42	Brake	Service (Foot)	Hydraulic-Foot pedal		Hydraulic-Foot pedal		
		Parking	Mechanical-Hand lever		Mechanical-Hand lever		
45	Battery		Voltage / Capacity (SHR)		12 / 30		
49	Internal Combustion Engine		Make / Model		NISSAN / K21		
50			Rated Horsepower / r.p.m.		34.6 / 2250		
51			Rated Torque / r.p.m.		153.5 / 1600		
52			Number of Cylinder		4		
			Piston Displacement		2065		
			Alternator output		0.60 / 50		
			Fuel Tank Capacity Type		70		
55	Transmission		Type	Manual	Power-shift	Manual	Power-shift
	Stage	Fwd.-Rvs.	2-2	1-1	2-2	1-1	
57	Operating Pressure		For Attachments		17.7		

NOTE : \* Computed values.



TCM							
FG30C3	FG30T3	FHG20C3	FHG20T3	FHG25C3	FHG25T3	FHG30C3	FHG30T3
3000		2000		2500		3000	
500		500		500		500	
Gasoline		Gasoline		Gasoline		Gasoline	
Seated		Seated		Seated		Seated	
pneumatic		pneumatic		pneumatic		pneumatic	
2X / 2		2X / 2		2X / 2		2X / 2	
3000		3000		3000		3000	
165		105		110		165	
1070 X 125 X 45		1070 X 122 X 36		1070 X 122 X 40		1070 X 125 X 45	
1090 / 250		1020 / 244		1020 / 244		1090 / 250	
6 / 12		6 / 12		6 / 12		6 / 12	
2705		2485		2555		2705	
1225		1150		1150		1225	
2075		2030		2030		2075	
4260		4030		4030		4260	
2090		2070		2070		2090	
2150		2130		2130		2150	
1070		1045		1045		1070	
2400		2170		2240		2400	
490		450		450		490	
525		435		505		525	
4185		3925		3995		4185	
19		18.5		18.5		19	
19.5		19		19		19.5	
440		600		600		500	
450		620		620		520	
450		450		450		450	
		550		550			
10.8	14.2	14.2	22.1	14.2	22.1	12.7	19.6
9.8		8.3		8.3		9.8	
14	18	24	36	21	33	18	24
20		20		18		20	
4205		3220		3580		4260	
6350		4620		5350		6350	
900		900		730		910	
1620		1440		1370		1620	
2630		1780		2210		2640	
2 / 2		2 / 2		2 / 2		2 / 2	
28X9-15-12PR(I)		7.00-12-12PR(I)		7.00-12-12PR(I)		28X9-15-12PR(I)	
6.50-10-10PR(I)		6.00-9-10PR(I)		6.00-9-10PR(I)		6.50-10-10PR(I)	
1700		1600		1600		1700	
1000		970		970		1000	
970		970		970		970	
1300		1040		1040		1300	
1005		1005		1005		1005	
1130		1110		1110		1130	
560		530		530		560	
460 / 680		435 / 650		435 / 650		460 / 680	
140		110		110		140	
145		120		120		145	
Hydraulic-Foot pedal		Hydraulic-Foot pedal		Hydraulic-Foot pedal		Hydraulic-Foot pedal	
Mechanical-Hand lever		Mechanical-Hand lever		Mechanical-Hand lever		Mechanical-Hand lever	
12 / 30		12 / 30		12 / 30		12 / 30	
NISSAN / K21		NISSAN / K25		NISSAN / K25		NISSAN / K25	
34.6 / 2250		39.5 / 2100		39.5 / 2100		39.5 / 2100	
153.5 / 1000		188.1 / 1600		188.1 / 1600		188.1 / 1600	
4		4		4		4	
2065		2488		2488		2488	
0.60 / 50		0.60 / 50		0.60 / 50		0.60 / 50	
70		70		70		70	
Manual	Power-shift	Manual	Power-shift	Manual	Power-shift	Manual	Power-shift
2-2	1-1	2-2	1-1	2-2	1-1	2-2	1-1
17.7		17.7		17.7		17.7	

# STANDARD SPECIFICATIONS

Characteristics				TCM					
				FD20C3		FD20T3		FD25C3	
1	Manufacturer								
2	Model								
3	Load Capacity			2000		2500			
4	Load Center			500		500			
5	Power Type			Diesel		Diesel			
6	Operator Position			Seated		Seated			
7	Tire Type		Front / Rear	Pneumatic		Pneumatic			
8	Wheels (x = driven)		Front / Rear	2X / 2		2X / 2			
9	Maximum Fork Height			3000		3000			
10	Free Lift			105		110			
13	Fork Size		L X W X T	1070 X 122 X 36		1070 X 122 X 40			
	Fork Spread (Outside)		Max. / Min.	1020 / 245		1020 / 245			
14	Tilt Angle		Fwd. / Bwd.	6 / 12		6 / 12			
15	Length to Fork Face			2485		2555			
16	Overall Width			1150		1150			
17	Mast Height Fork Lowered			2030		2030			
18	Mast Height Fork Raised			4030		4030			
19	Overhead Guard Height(EXB,EXK)			2070		2070			
	Overhead Guard Height(EXC,EXE,EXN)			2130		2130			
20	Operator's Seat Height			1045		1045			
21	Turning Radius (Outside)			2170		2240			
22	Load Distance (Centerline of front axle to front face of forks)			450		450			
	Rear Overhang			435		505			
23	Basic Right Angle Stacking Aisle Width (Add load length and clearance)			3925		3995			
Performance	24	Speeds	Travel, Max. (Fwd. / Rvs.)	Full Load	km/h	18.5	18	18.5	18
				No Load	km/h	19	18.5	19	18.5
			Lifting	Full Load	mm/sec	630		630	
				No Load	mm/sec	670		670	
			Lowering	Full Load	mm/sec	450		450	
				No Load	mm/sec	550		550	
28	Max. Drawbar Pull	Full Load	kN	13.7	10.1	13.7	19.1		
		No Load	kN	8.3		8.3			
30	Max. Gradeability*	Full Load	%	23	34	20	28		
		No Load	%	20		20			
Weight	33	Weight Distribution	Full Load	Front	kg	4870		5400	
				Rear	kg	670		800	
			No Load	Front	kg	1490		1420	
				Rear	kg	1850		2280	
Chassis & Wheels	36	Tires	Number	Front / Rear	2 / 2		2 / 2		
				Size	Front	7.00-12-12PR(I)		7.00-12-12PR(I)	
			Rear		5.00-9-10PR(I)		6.00-9-10PR(I)		
			38	Wheelbase	mm	1600		1600	
39	Tread	Front			mm	970		970	
		Rear	mm	970		970			
	Backrest Height			1040		1040			
	Overhead Guard Clearance			1005		1005			
	Counterweight Height			1110		1110			
	Drawbar Pin Center Height			530		530			
	Step Height / Floor Height			435 / 650		435 / 650			
Engine & Transmission	40	Underclearance	Min. with Load	mm	110		110		
			Center of Wheelbase	mm	120		120		
	42	Brake	Service (Foot)	Hydraulic-Foot pedal		Hydraulic-Foot pedal			
			Parking	Mechanical-Hand lever		Mechanical-Hand lever			
	45	Battery	Voltage / Capacity (5HR)		12 / 64		12 / 64		
			Make / Model		NISSAN DIESEL / TD27-II		NISSAN DIESEL / TD27-II		
			Rated Horsepower / r.p.m.		42.0 / 2400		42.0 / 2400		
			Rated Torque / r.p.m.		170 / 2300		170 / 2300		
			Number of Cylinder		4		4		
			Piston Displacement		cc		2663		
Alternator output			kW/Amp		0.72 / 60				
Fuel Tank Capacity Type		liter		70					
55	Transmission	Type	Manual	Power-shift	Manual	Power-shift			
		Stage	Fwd.-Rvs.	2-2	1-1	2-2	1-1		
57	Operating Pressure		For Attachments	MPa	17.7		17.7		

NOTE : \* Computed values.



TCM								
FD30C3	FD30T3	FHD20C3	FHD20T3	FHD25C3	FHD25T3	FHD30C3	FHD30T3	FD35T3S
3000		2000		2500		3000		3500
500		500		500		500		500
Diesel		Diesel		Diesel		Diesel		Diesel
Seated		Seated		Seated		Seated		Seated
Pneumatic		Pneumatic		Pneumatic		Pneumatic		Pneumatic
2X / 2		2X / 2		2X / 2		2X / 2		2X / 2
3000		3000		3000		3000		3000
165		105		110		165		170
1070 X 122 X 45		1070 X 122 X 36		1070 X 122 X 40		1070 X 125 X 45		1070 X 150 X 50
1090 / 250		1020 / 245		1020 / 245		1090 / 250		1090 / 300
6 / 12		6 / 12		6 / 12		6 / 12		6 / 12
2705		2485		2555		2705		2900
1225		1150		1150		1225		1290
2075		2030		2030		2075		2135
4260		4030		4030		4260		4255
2090		2070		2070		2090		2140
2150		2130		2130		2150		2200
1070		1045		1045		1070		1120
2400		2170		2240		2400		2470
480		450		450		480		495
525		435		505		525		605
4185		3925		3995		4185		4145
19		18		18		19		19
19.5		18.5		18.5		19.5		19.5
520		620		620		520		460
590		640		640		540		490
450		450		450		450		420
450		550		550		450		450
12.7	17.2	15.7	26.5	15.7	26.5	14.8	23.5	18.1
9.8		8.3		8.3		9.8		10.8
15	21	28	38	24	32	16	27	20
20		20		18		20		17
4390		3340		3700		4390		4940
6410		4680		5400		6410		7290
980		860		800		980		1150
1680		1500		1420		1690		1740
2710		1840		2280		2700		3200
2 / 2		2 / 2		2 / 2		2 / 2		2 / 2
28X9-15-12PR(I)		7.00-12-12PR(I)		7.00-12-12PR(I)		28X9-15-12PR(I)		250-15-16PR(I)
6.50-10-10PR(I)		6.00-9-10PR(I)		6.00-9-10PR(I)		6.50-10-10PR(I)		6.50-10-12PR(I)
1700		1600		1600		1700		1700
1000		970		970		1000		1060
970		970		970		970		970
1300		1040		1040		1300		1220
1005		1005		1005		1005		1005
1130		1110		1110		1130		1180
560		530		530		560		610
460 / 680		435 / 680		435 / 650		460 / 680		485 / 730
140		110		110		140		125
145		120		120		145		190
Hydraulic-Foot pedal		Hydraulic-Foot pedal		Hydraulic-Foot pedal		Hydraulic-Foot pedal		Hydraulic-Foot pedal
Mechanical-Hand lever		Mechanical-Hand lever		Mechanical-Hand lever		Mechanical-Hand lever		Mechanical-Hand lever
12 / 64		12 / 64		12 / 64		12 / 64		12 / 64
NISSAN DIESEL / TD27-II		KUBOTA / V3300		KUBOTA / V3300		KUBOTA / V3300		NISSAN DIESEL / QD32
42.0 / 2400		50 / 2500		50 / 2500		50 / 2500		44 / 2300
170 / 2300		226.4 / 1800		226.4 / 1800		226.4 / 1800		189 / 1800
4		4		4		4		4
2663		3318		3318		3318		3153
0.72 / 60		0.54 / 45		0.54 / 45		0.54 / 45		0.72 / 60
70		70		70		70		70
Manual	Power-shift	Manual	Power-shift	Manual	Power-shift	Manual	Power-shift	Power-shift
2-2	1-1	2-2	1-1	2-2	1-1	2-2	1-1	1-1
17.7		17.7		17.7		17.7		17.7

## Wide View Mast VM

Mast Model	Rated Capacity/ 500mm load center (kg)				Max. Fork Height mm	Overall Mast Height		Tilting Angle F/B deg	(3) Service weight(kg)					
	FG / D20		FG / D25			Lowered mm	(1)Raised with Backrest mm		FG20			FG25		
	PNEUMATIC	UNIQUE(SE)	PNEUMATIC	UNIQUE(SE)					S	DD	SDD	S	DD	SDD
VM250	2000	2000	2500	2500	2500	1780	3530	6-10	3170	3275	3290	3530	3635	3650
VM270	2000	2000	2500	2500	2700	1880	3730	6-10	3185	3290	3305	3545	3650	3665
VM300	2000	2000	2500	2500	3000	2030	4030	6-12	3210	3315	3330	3570	3675	3690
VM330	2000	2000	2500	2500	3300	2180	4330	6-12	3235	3340	3355	3595	3700	3715
VM350	2000	2000	2500	2500	3500	2280	4530	6-12	3250	3355	3370	3610	3715	3730
VM375	2000	2000	2500	2500	3750	2405	4780	6-6 *6-12	3270	3375	3390	3630	3735	3750
VM400	2000	2000	2500	2500	4000	2580	5030	6-6 *6-12	3325	3430	3445	3685	3790	3805
VM425	1950 *2000	1950 *2000	2450 *2500	2450 *2500	4250	2705	5280	6-6 *6-12	3345	3450	3465	3705	3810	3825
VM450	1900 *1950	1900 *1950	2150 *2450	2350 *2450	4500	2830	5530	6-6 *6-12	3365	3470	3485	3725	3830	3845
VM475	1800 *1850	1800 *1850	1850 *2350	2200 *2350	4750	2955	5780	6-6 *6-6	3385	3490	3505	3745	3850	3865
VM500	1650 *1700	1700	1700 *2250	2000 *2250	5000	3080	6030	6-6 *6-6	3405	3510	3525	3765	3870	3885
VM550	*1500	*1500	*1700	*1700	5500	3380	6530	*3-6	3480	3585	3600	3840	3945	3960
VM600	*1300	*1300	*1400	*1400	6000	3630	7030	*3-6	3520	3525	3640	3880	3985	4000

NOTE (3) Weight for diesel model: +130kg(TD27)

## Wide View Full Free 2-Stage Mast VFM

Mast Model	Rated Capacity/ 500mm load center (kg)				Max. Fork Height mm	Overall Mast Height		(2)Free lift with Backrest mm	Tilting Angle F/B deg	(3) Service weight(kg)					
	FG / D20		FG / D25			Lowered mm	(1)Raised with Backrest mm			FG20			FG25		
	PNEUMATIC	UNIQUE(SE)	PNEUMATIC	UNIQUE(SE)						S	DD	SDD	S	DD	SDD
VFM250	2000	2000	2500	2500	2500	1780	3530	780	6-10	3225	3330	3345	3585	3690	3705
VFM270	2000	2000	2500	2500	2700	1880	3730	880	6-10	3245	3350	3365	3605	3710	3725
VFM300	2000	2000	2500	2500	3000	2030	4030	1030	6-12	3270	3375	3390	3630	3735	3750
VFM330	2000	2000	2500	2500	3300	2180	4330	1180	6-12	3295	3400	3415	3655	3760	3775
VFM350	2000	2000	2500	2500	3500	2280	4530	1280	6-12	3310	3415	3430	3670	3775	3790
VFM375	2000	2000	2500	2500	3750	2405	4780	1405	6-6 *6-12	3330	3435	3450	3690	3795	3810
VFM400	2000	2000	2500	2500	4000	2580	5030	1580	6-6 *6-12	3390	3495	3510	3750	3855	3870
VFM425	1950 *2000	1950 *2000	2450 *2500	2450 *2500	4250	2705	5280	1705	6-6 *6-12	3410	3515	3530	3770	3875	3890
VFM450	1900 *1950	1900 *1950	2150 *2450	2350 *2450	4500	2830	5530	1830	6-6 *6-12	3435	3540	3555	3795	3900	3915
VFM475	1800 *1850	1800 *1850	1850 *2350	2200 *2350	4750	2955	5780	1955	6-6 *6-6	3455	3560	3575	3815	3920	3935
VFM500	1650 *1700	1700	1700 *2250	2000 *2250	5000	3080	6030	2080	6-6 *6-6	3475	3580	3595	3835	3940	3955
VFM550	*1500	*1500	*1700	*1700	5500	3380	6530	2380	*3-6	3555	3660	3675	3915	4020	4035
VFM600	*1300	*1300	*1400	*1400	6000	3630	7030	2630	*3-6	3595	3700	3715	3955	4060	4075

NOTE (1) For height without backrest: -385mm

(2) For free lift without backrest: -385mm

Weight for without backrest: -20kg

(3) Weight for diesel model: +130kg(TD27)

## Wide View Full Free 3-Stage Mast VFHM

Mast Model	Rated Capacity/ 500mm load center (kg)				Max. Fork Height mm	Overall Mast Height		(2)Free lift with Backrest mm	Tilting Angle F/B deg	(3) Service weight(kg)					
	FG / D20		FG / D25			Lowered mm	(1)Raised with Backrest mm			FG20			FG25		
	PNEUMATIC	UNIQUE(SE)	PNEUMATIC	UNIQUE(SE)						S	DD	SDD	S	DD	SDD
VFHM360	2000	2000	2500	2500	3600	1780	4630	780	6-6 *6-10	3365	3470	3485	3725	3830	3845
VFHM400	2000	2000	2500	2500	4000	1905	5030	905	6-6 *6-10	3395	3500	3515	3755	3860	3875
VFHM435	1900 *2000	1900 *2000	2200 *2400	2300 *2400	4350	2030	5380	1030	6-6 *6-10	3425	3530	3545	3785	3890	3905
VFHM480	1700 *1900	1800 *1900	1900 *2300	2200 *2300	4800	2180	5830	1180	6-6 *6-10	3455	3560	3575	3815	3920	3935
VFHM500	1500 *1800	1750 *1800	1600 *2250	2000 *2250	5000	2280	6030	1280	6-6 *6-10	3480	3585	3600	3840	3945	3960
VFHM540	1200 *1750	1650 *1750	1300 *2150	1700 *2150	5400	2405	6430	1405	3-6 *3-6	3510	3615	3630	3870	3975	3990
VFHM600	900 *1650	1100 *1650	950 *1800	1100 *1800	6000	2630	7030	1630	3-6 *3-6	3605	3710	3725	3965	4070	4085
VFHM650	*1500	*1500	*1550	*1550	6500	2845	7530	1845	*3-3	3680	3785	3780	4020	4125	4140
VFHM700	*1250	*1250	*1250	*1250	7000	3065	8030	2065	*3-3	3715	3820	3835	4075	4180	4195

NOTE (1) For height without backrest: -455mm

(2) For free lift without backrest: -455mm

Weight for without backrest: -20kg

(3) Weight for diesel model: +130kg(TD27)

## NOTE :

Rated capacity with (\*): Shows capacity with DD: front dual tires.

Service weight of VM/VFM550-600 and of VFHM550-700 represents the weight of vehicles equipped with "SDD:special dual tires".

Lifting speed with VFM/VFHM mast: with VFM FG 480mm/s with load, 520mm/s without load.

FD 540mm/s with load, 590mm/s without load.

with VFHM FG 500mm/s with load, 540mm/s without load.

FD 560mm/s with load, 610mm/s without load.

Lowering speed with VFM/VFHM mast: 400mm/s with load, 350mm/s without load.

Overall vehicle length with VFHM mast: +15mm longer than of standard model with VM/VFM mast.



## Wide View Mast

### Wide View Full Free 2-Stage Mast VFW (4CYLINDER)

Mast Model	Rated Capacity/ 500mm load center (kg)				Max. Fork Height mm	Overall Mast Height			Tilting Angle F/B deg	(3) Service weight(kg)					
	FG / D20		FG / D25			Lowered mm	(1)Raised with Backrest mm	(2)Free lift with Backrest mm		FG20			FG25		
	PNEUMATIC	UNIQUE(SE)	PNEUMATIC	UNIQUE(SE)						S	DD	SDD	S	DD	SDD
VFW300	1900	1900	2400	2400	3000	2045	4030	1045	6-12	3280	3385	3505	3640	3745	3865
VFW330	1900	1900	2400	2400	3300	2195	4330	1195	6-12	3310	3415	3535	3670	3775	3895
VFW350	1900	1900	2400	2400	3500	2295	4530	1295	6-12	3325	3430	3550	3685	3790	3910
VFW375	1800 *1900	1800 *1900	2350	2350	3750	2420	4780	1420	*6-6 6-12	3350	3455	3575	3710	3815	3935
VFW400	1800 *1900	1800 *1900	2300 *2350	2300 *2350	4000	2595	5030	1595	*6-6 6-12	3410	3515	3635	3770	3875	3995

NOTE : (1) For height without backrest: -455mm  
 (2) For free lift without backrest: +455mm  
 Weight for without backrest: -20kg  
 (3) Weight for diesel model: +130kg(TD27)

### Wide View Full Free 3-Stage Mast VFHW (4CYLINDER)

Mast Model	Rated Capacity/ 500mm load center (kg)				Max. Fork Height mm	Overall Mast Height			Tilting Angle F/B deg	(3) Service weight(kg)					
	FG / D20		FG / D25			Lowered mm	(1)Raised with Backrest mm	(2)Free lift with Backrest mm		FG20			FG25		
	PNEUMATIC	UNIQUE(SE)	PNEUMATIC	UNIQUE(SE)						S	DD	SDD	S	DD	SDD
VHW435	1800 *1900	1850 *1900	2200 *2400	2300 *2400	4350	2045	5380	1045	*6-6 6-10	3425	3530	3650	3785	3890	4010
VHW480	1700 *1900	1800 *1900	1900 *2300	2200 *2300	4800	2195	5830	1195	*6-6 6-10	3470	3575	3695	3830	3935	4055
VHW500	1500 *1800	1750 *1800	1600 *2250	2000 *2250	5000	2295	6030	1295	*6-6 6-10	3495	3600	3720	3855	3960	4080
VHW540	1200 *1750	1550 *1750	1300 *2150	1700 *2150	5400	2420	6430	1420	3-6	3520	3625	3745	3880	3985	4105
VHW550	1150 *1750	1600 *1750	1250 *2100	1600 *2100	5500	2460	6530	1460	3-6	3530	3635	3755	3890	3995	4115

NOTE : (1) For height without backrest: -455mm  
 (2) For free lift without backrest: +455mm  
 Weight for without backrest: -20kg  
 (3) Weight for diesel model: +130kg(TD27)

#### NOTE :

Rated capacity with (\*): Shows capacity with DD: front dual tires.

Lifting speed with VFM/VFHM mast: with VFM FG 450mm/s with load. 490mm/s without load.  
 FD 520mm/s with load. 570mm/s without load.  
 with VFHM FG 460mm/s with load. 510mm/s without load.  
 FD 540mm/s with load. 590mm/s without load.

Lowering speed with VFM/VFHM mast: 420mm/s with load. 380mm/s without load.

Overall vehicle length with VFW/VFHW(4CYLINDER) mast: +35mm longer than of standard model with VM mast.

## Wide View Mast VM

Mast Model	Rated Capacity/ 500mm load center (kg)		Max. Fork Height mm	Overall Mast Height		Tilting Angle F/B deg	(3) Service weight(kg)		
	FG / D30			Lowered mm	(1)Raised with Backrest mm		FG30		
	PNEUMATIC	UNIQUE(SE)					S	DD	SDD
VM250	3000	3000	2500	1820	3760	6-10	4210	4245	4390
VM270	3000	3000	2700	1920	3960	6-10	4225	4260	4375
VM300	3000	3000	3000	2075	4260	6-12	4250	4285	4400
VM330	3000	3000	3300	2225	4560	6-12	4275	4310	4425
VM350	3000	3000	3500	2325	4760	6-12	4290	4325	4440
VM375	3000	3000	3750	2450	5010	6-6 *6-12	4310	4345	4460
VM400	3000	3000	4000	2625	5260	6-6 *6-12	4370	4405	4520
VM425	2900 *3000	3000	4250	2750	5510	6-6 *6-12	4390	4425	4540
VM450	2800 *3000	3000	4500	2875	5760	6-6 *6-12	4410	4445	4560
VM475	2750 *2900	2950 *2900	4750	3000	6010	6-6 *6-6	4430	4465	4580
VM500	2700 *2850	2850 *2850	5000	3125	6260	6-6 *6-6	4455	4490	4605
VM550	*2400	*2400	5500	3425	6760	*3-6	4530	4565	4680
VM600	*2000	*2000	6000	3675	7260	*3-6	4570	4605	4720

NOTE : (3) Weight for diesel model: +140kg(TD27)

## Wide View Full Free 2-Stage Mast VFM

Mast Model	Rated Capacity/ 500mm load center (kg)		Max. Fork Height mm	Overall Mast Height		(2)Free lift with Backrest mm	Tilting Angle F/B deg	(3) Service weight(kg)		
	FG / D30			Lowered mm	(1)Raised with Backrest mm			FG30		
	PNEUMATIC	UNIQUE(SE)						S	DD	SDD
VFM250	3000	3000	2500	1820	3760	600	6-10	4210	4245	4390
VFM270	3000	3000	2700	1920	3960	700	6-10	4225	4260	4375
VFM300	3000	3000	3000	2075	4260	850	6-12	4250	4285	4400
VFM330	3000	3000	3300	2225	4560	1000	6-12	4275	4310	4425
VFM350	3000	3000	3500	2325	4760	1100	6-12	4290	4325	4440
VFM375	3000	3000	3750	2450	5010	1225	6-6 *6-12	4310	4345	4460
VFM400	3000	3000	4000	2625	5260	1400	6-6 *6-12	4370	4405	4520
VFM425	2900 *3000	3000	4250	2750	5510	1525	6-6 *6-12	4390	4425	4540
VFM450	2800 *3000	3000	4500	2875	5760	1650	6-6 *6-12	4410	4445	4560
VFM475	2750 *2900	2950 *2900	4750	3000	6010	1775	6-6 *6-6	4430	4465	4580
VFM500	2700 *2850	2850 *2850	5000	3125	6260	1900	6-6 *6-6	4455	4490	4605
VFM550	*2400	*2400	5500	3425	6760	2200	*3-6	4530	4565	4680
VFM600	*2000	*2000	6000	3675	7260	2450	*3-6	4570	4605	4720

NOTE : (1) For height without backrest: -540mm  
 (2) For free lift without backrest: -540mm  
 Weight for without backrest: -30kg  
 (3) Weight for diesel model: +140kg(TD27)

## Wide View Full Free 3-Stage Mast VFHM

Mast Model	Rated Capacity/ 500mm load center (kg)		Max. Fork Height mm	Overall Mast Height		(2)Free lift with Backrest mm	Tilting Angle F/B deg	(3) Service weight(kg)		
	FG / D30			Lowered mm	(1)Raised with Backrest mm			FG30		
	PNEUMATIC	UNIQUE(SE)						S	DD	SDD
VFHM360	3000	3000	3600	1825	4800	600	6-6 *6-10	4395	4430	4545
VFHM400	3000	3000	4000	1950	5260	725	6-6 *6-10	4425	4460	4575
VFHM435	2900 *3000	2900 *3000	4350	2075	5610	850	6-6 *6-10	4460	4495	4610
VFHM480	2800 *2900	2800 *2900	4800	2225	6060	1000	6-6 *6-10	4495	4530	4645
VFHM500	2500 *2750	2750 *2750	5000	2325	6260	1100	6-6 *6-10	4520	4555	4670
VFHM540	1900 *2650	2500 *2650	5400	2450	6600	1225	3-6 *3-6	4555	4590	4705
VFHM600	1400 *2100	1850 *2100	6000	2675	7260	1450	3-6 *3-6	4650	4685	4800
VFHM650	*1700	*1700	6500	2890	7760	1665	*3-3	4715	4750	4865
VFHM700	*1350	*1350	7000	3110	8260	1885	*3-3	4770	4805	4920

NOTE : (1) For height without backrest: -580mm  
 (2) For free lift without backrest: -580mm  
 Weight for without backrest: -30kg  
 (3) Weight for diesel model: +140kg(TD27)

## NOTE :

Rated capacity with (\*): Shows capacity with DD: front dual tires.

Service weight of VM/VFM550-600 and of VFHM650-700 represents the weight of vehicles equipped with \*SDD:special dual tires\*.

Lifting speed with VFM/VFHM mast: with VFM FG 420mm/s with load, 440mm/s without load.

FD 460mm/s with load, 530mm/s without load.

with VFHM FG 430mm/s with load, 450mm/s without load.

FD 480mm/s with load, 550mm/s without load.

Lowering speed with VFM/VFHM mast: 400mm/s with load, 350mm/s without load.

Overall vehicle length with VFHM mast: +15mm longer than of standard model with VM/VFM mast.



## Wide View Mast

### Wide View Full Free 2-Stage Mast VFW (4CYLINDER)

Mast Model	Rated Capacity/ 500mm load center (kg)		Max. Fork Height mm	Overall Mast Height		(2)Free lift with Backrest mm	Tilting Angle F/B deg	(3) Service weight(kg)		
	FG / D30			Lowered mm	(1)Raised with Backrest mm			FG30		
	PNEUMATIC	UNIQUE(SE)						S	DD	SDD
VFW300	2900	2900	3000	2125	4260	900	6-12	4310	4345	4495
VFW330	2900	2900	3300	2275	4560	1050	6-12	4335	4370	4520
VFW350	2900	2900	3500	2375	4780	1150	6-12	4355	4390	4540
VFW375	2900	2900	3750	2500	5010	1275	6-6 *5-12	4375	4410	4560
VFW400	2900	2900	4000	2675	5260	1450	6-6 *6-12	4440	4475	4625

NOTE : (1) For height without backrest: -580mm  
 (2) For free lift without backrest: +580mm  
 Weight for without backrest: -30kg  
 (3) Weight for diesel model: +140kg(TD27)

### Wide View Full Free 3-Stage Mast VFHW (4CYLINDER)

Mast Model	Rated Capacity/ 500mm load center (kg)		Max. Fork Height mm	Overall Mast Height		(2)Free lift with Backrest mm	Tilting Angle F/B deg	(3) Service weight(kg)		
	FG / D30			Lowered mm	(1)Raised with Backrest mm			FG30		
	PNEUMATIC	UNIQUE(SE)						S	DD	SDD
VHW435	2800	2900	4350	2125	5610	900	6-6 *6-10	4470	4505	4655
	*2900									
VHW480	2700	2800	4800	2275	6050	1050	6-6 *6-10	4510	4545	4695
	*2800									
VHW500	2600	2750	5000	2375	6260	1150	6-6 *6-10	4535	4570	4720
	*2750									
VHW540	1900	2500	5400	2500	6660	1275	3-6	4565	4600	4750
	*2650									
VHW550	1900	2350	5500	2540	6760	1315	3-6	4575	4610	4760
	*2600									

NOTE : (1) For height without backrest: -580mm  
 (2) For free lift without backrest: +580mm  
 Weight for without backrest: -30kg  
 (3) Weight for diesel model: +140kg(TD27)

#### NOTE :

Rated capacity with (\*): Shows capacity with DD: front dual tires.

Lifting speed with VFM/VFHM mast: with VFM FG 360mm/s with load, 420mm/s without load.  
 FD 430mm/s with load, 500mm/s without load.  
 with VFHM FG 390mm/s with load, 430mm/s without load.  
 FD 450mm/s with load, 520mm/s without load.

Lowering speed with VFM/VFHM mast: 400mm/s with load, 350mm/s without load.

Overall vehicle length with VFW/VFHW(4CYLINDER) mast: +35mm/+45mm longer than of standard model with VM mast.

## Wide View Full Free 2-Stage Mast VFW (4CYLINDER)

Mast Model	Rated Capacity/ 500mm load center(kg)						Max. Fork Height	Overall Mast Height			Tilting Angle F/B	(2) Service weight(kg)								
	FHG / D20T3		FHG / D25T3		FHG / D30T3			(1) Lowered	(2)Pallet with Backrest	(3)Free lift		FHG20T3 FHG20C3			FHG25T3 FHG25C3			FHG30T3 FHG30C3		
	PNEUMATIC	UNIQUESE	PNEUMATIC	UNIQUESE	PNEUMATIC	UNIQUESE						mm	mm	mm	S	DD	SDD	S	DD	SDD
VFW300	1900	1900	2400	2400	2900	2900	3000	2045	4030	1045	6-12	3290	3395	3515	3650	3755	3875	4320	4355	4505
VFW330	1900	1900	2400	2400	2900	2900	3300	2195	4350	1195	6-12	3320	3425	3545	3680	3785	3905	4345	4380	4530
VFW350	1900	1900	2400	2400	2900	2900	3500	2295	4530	1295	6-12	3335	3440	3560	3695	3800	3920	4365	4400	4550
VFW375	1800 *1900	1800 *1900	2350	2350	2900	2900	3750	2420	4780	1420	*6-6 8-12	3360	3465	3585	3720	3825	3945	4385	4420	4570
VFW400	1800 *1900	1800 *1900	2300 *2350	2300 *2350	2900	2900	4000	2595	5030	1595	*6-6 6-12	3420	3525	3645	3780	3885	4005	4450	4485	4635

- NOTE : (1) Figures for [2t, 2.5t model] , For [3t model] +80mm  
 (2) Figures for [2t, 2.5t model] , For [3t model] +230mm  
 For height without backrest: [2t, 2.5t model]-455mm, [3t model]-580mm  
 (3) Figures for [2t, 2.5t model] , For [3t model] -145mm  
 For free lift without backrest: [2t, 2.5t model]+455mm, [3t model]+580mm  
 Weight for without backrest: [2t, 2.5t model]-20kg, [3t model]-30kg  
 (4) Weight for diesel model: [2t model]+120kg, [2.5t model]+120kg, [3t model]+130kg

## Wide View Full Free 3-Stage Mast VFHW (4CYLINDER)

Mast Model	Rated Capacity/ 500mm load center(kg)						Max. Fork Height	Overall Mast Height			Tilting Angle F/B	(2) Service weight(kg)								
	FHG / D20C3		FHG / D25C3		FHG / D30C3			(1) Lowered	(2)Pallet with Backrest	(3)Free lift		FHG20T3 FHG20C3			FHG25T3 FHG25C3			FHG30T3 FHG30C3		
	PNEUMATIC	UNIQUESE	PNEUMATIC	UNIQUESE	PNEUMATIC	UNIQUESE						mm	mm	mm	S	DD	SDD	S	DD	SDD
VHW435	1800 *1900	1850 *1900	2200 *2400	2300 *2400	2900 *2900	2900	4350	2045	5380	1045	*6-6 6-10	3435	3540	3660	3795	3900	4020	4480	4515	4665
VHW480	1700 *1900	1800 *1900	1900 *2300	2200 *2350	2700 *2800	2800	4800	2195	5830	1195	*6-6 6-10	3480	3585	3705	3840	3945	4065	4520	4555	4705
VHW500	1500 *1800	1750 *1800	1600 *2250	2000 *2250	2600 *2750	2750	5000	2295	6030	1295	*6-6 6-10	3505	3610	3730	3865	3970	4090	4545	4580	4730
VHW540	1200 *1750	1650 *1750	1300 *2150	1700 *2150	1900 *2650	2500	5400	2420	6430	1420	3-6	3530	3635	3755	3890	3995	4115	4575	4610	4760
VHW550	1150 *1750	1600 *1750	1250 *2100	1600 *2100	1900 *2600	2350	5500	2460	6530	1450	3-6	3540	3645	3765	3900	4005	4125	4585	4620	4770

- NOTE : (1) Figures for [2t, 2.5t model] , For [3t model] +80mm  
 (2) Figures for [2t, 2.5t model] , For [3t model] +230mm  
 For height without backrest: [2t, 2.5t model]-455mm, [3t model]-580mm  
 (3) Figures for [2t, 2.5t model] , For [3t model] -145mm  
 For free lift without backrest: [2t, 2.5t model]+455mm, [3t model]+580mm  
 Weight for without backrest: [2t, 2.5t model]-20kg, [3t model]-30kg  
 (4) Weight for diesel model: [2t model]+120kg, [2.5t model]+120kg, [3t model]+130kg

## NOTE :

Rated capacity with (\*): Shows capacity with DD: front dual tires.

Lifting speed with VFM/VFHM mast: with VFM FG [2t, 2.5t model] 450mm/s with load, 490mm/s without load.  
 FD [2t, 2.5t model] 510mm/s with load, 540mm/s without load.  
 FG [3t model] 410mm/s with load, 440mm/s without load.  
 FD [3t model] 430mm/s with load, 460mm/s without load.  
 with VFHM FG [2t, 2.5t model] 460mm/s with load, 510mm/s without load.  
 FD [2t, 2.5t model] 530mm/s with load, 560mm/s without load.  
 FG [3t model] 430mm/s with load, 460mm/s without load.  
 FD [3t model] 450mm/s with load, 480mm/s without load.

Lowering speed with VFM/VFHM mast: [2t, 2.5t, 3t model] 400mm/s with load, 350mm/s without load.

Overall vehicle length with VFW/VFHW(4CYLINDER) mast: [2t, 2.5t model]: +35mm longer than of standard model with VM mast.  
 [3t model]: +35mm+45mm longer than of standard model with VM mast.

## NOTE(P.9) :

Rated capacity with (\*): Shows capacity with DD: front dual tires.

Service weight of VM/VFM550-600 and of VFHM650-700 represents the weight of vehicles equipped with "SDD: special dual tires".

Lifting speed with VFM/VFHM mast: with VFM FG [2t, 2.5t model] 530mm/s with load, 560mm/s without load.  
 FD [2t, 2.5t model] 550mm/s with load, 580mm/s without load.  
 FG [3t model] 450mm/s with load, 470mm/s without load.  
 FD [3t model] 470mm/s with load, 490mm/s without load.  
 with VFHM FG [2t, 2.5t model] 560mm/s with load, 580mm/s without load.  
 FD [2t, 2.5t model] 570mm/s with load, 600mm/s without load.  
 FG [3t model] 460mm/s with load, 480mm/s without load.  
 FD [3t model] 480mm/s with load, 500mm/s without load.

Lowering speed with VFM/VFHM mast: [2t, 2.5t, 3t model] 400mm/s with load, 350mm/s without load.

Overall vehicle length with VFM mast: +15mm longer than of standard model with VM mast.



## Wide View Mast VM

Mast Model	Rated Capacity / 500mm load center(kg)		Max. Fork Height mm	Overall Mast Height		Tilting Angle F/B deg	(3) Service weight(kg)	
	FD35T3S			Lowerd mm	(1)Raised with Backrest mm		FD35T3S	
	PNEUMATIC	UNIQUE(SE)					S	DO
VM250	3500	3500	2500	1885	3760	6-10	4890	4905
VM270	3500	3500	2700	1985	3960	6-10	4910	4925
VM300	3500	3500	3000	2135	4260	6-12	4940	4955
VM330	3500	3500	3300	2285	4560	6-12	4970	4985
VM350	3500	3500	3500	2385	4760	6-12	4990	5005
VM375	3500	3500	3750	2510	5010	6-6 *6-12	5010	5025
VM400	3500	3500	4000	2685	5260	6-6 *6-12	5080	5095
VM425	3500	3500	4250	2810	5510	6-6 *6-12	5105	5120
VM450	3400	3450	4500	2935	5760	6-6 *6-12	5125	5140
VM475	3400	3400	4750	3060	6010	6-6	5150	5165
VM500	3300	3350	5000	3185	6260	6-6	5175	5190
VM550	*3200	*3200	5500	3485	6760	*3-6	—	5265
VM600	*2400	*2400	6000	3735	7260	*3-6	—	5310

## Wide View Full Free 2-Stage Mast VFM

Mast Model	Rated Capacity / 500mm load center(kg)		Max. Fork Height mm	Overall Mast Height		(2)Free lift with Backrest mm	Tilting Angle F/B deg	(3) Service weight(kg)	
	FD35T3S			Lowerd mm	(1)Raised with Backrest mm			FD35T3S	
	PNEUMATIC	UNIQUE(SE)						S	DO
VM250	3500	3500	2500	1885	3760	655	6-10	4980	4995
VM270	3500	3500	2700	1985	3960	755	6-10	5000	5015
VM300	3500	3500	3000	2135	4260	905	6-12	5030	5045
VM330	3500	3500	3300	2285	4560	1055	6-12	5065	5080
VM350	3500	3500	3500	2385	4760	1155	6-12	5085	5100
VM375	3500	3500	3750	2510	5010	1280	6-6 *6-12	5115	5130
VM400	3500	3500	4000	2685	5260	1455	6-6 *6-12	5185	5200
VM425	3500	3500	4250	2810	5510	1580	6-6 *6-12	5215	5230
VM450	3400	3400	4500	2935	5760	1705	6-6 *6-12	5240	5255
VM475	3300	3300	4750	3060	6010	1830	6-6	5265	5280
VM500	3200	3250	5000	3185	6260	1955	6-6	5295	5310
VM550	*3000	*3000	5500	3485	6760	2255	*3-6	—	5390
VM600	*2400	*2400	6000	3735	7260	2505	*3-6	—	5445

NOTE : (1) For height without backrest: -445mm  
 (2) For free lift without backrest: +445mm  
 Weight for without backrest: -30kg

## Wide View Full Free 3-Stage Mast VFHM

Mast Model	Rated Capacity / 500mm load center(kg)		Max. Fork Height mm	Overall Mast Height		(2)Free lift with Backrest mm	Tilting Angle F/B deg	(3) Service weight(kg)	
	FD35T3S			Lowerd mm	(1)Raised with Backrest mm			FD35T3S	
	PNEUMATIC	UNIQUE(SE)						S	DO
VFHM360	3400	3400	3600	1885	4880	655	6-6 *6-10	5095	5110
VFHM400	3400	3400	4000	2010	5280	780	6-6 *6-10	5130	5145
VFHM435	3300	3300	4350	2135	5610	905	6-6 *6-10	5180	5175
VFHM480	3200	3250	4800	2285	6060	1055	6-6 *6-10	5200	5215
VFHM500	3100	3200	5000	2385	6260	1155	6-6 *6-10	5230	5245
VFHM540	2500 *2900	2700 *2900	5400	2510	6660	1280	3-6 *3-6	5260	5275
VFHM600	1600 *2400	2000 *2400	6000	2735	7260	1505	3-6 *3-6	5370	5385
VFHM650	*2000	*2000	6500	2950	7760	1720	*3-3	—	5435
VFHM700	*1600	*1600	7000	3170	8260	1940	*3-3	—	5495

NOTE : (1) For height without backrest: -630mm  
 (2) For free lift without backrest: +530mm  
 Weight for without backrest: -30kg

## NOTE :

Rated capacity with (\*): Shows capacity with front dual tires.  
 Lifting speed with VFM/VFHM mast: with VFM 390mm/s with load, 410mm/s without load.  
 with VFHM 450mm/s with load, 470mm/s without load.  
 Lowering speed with VFM/VFHM mast: 440mm/s with load, 390mm/s without load.  
 Overall vehicle length with VFHM mast: +15mm longer than of standard model with VM/VFM mast.

**STANDARD EQUIPMENT AND ACCESSORIES****[Equipment]**

- Asbestos-free brake shoe materials
- Donaldson dry type cyclopac air-cleaner
- Radiator coolant reservoir
- Cylinder type bonnet latch with locking function
- Adjustable ORS seat with belt
- Drawbar device
- Engine idle-up device (Gasoline)
- Engine auto glow system (Diesel)
- Fuel water sedimenter (Diesel)
- Full hydrostatic power steering
- Full transistorized ignition (Gasoline)
- Durable overhead guard with resin screen
- Wide view two stage mast (VM300)
- Hydraulic oil dipstick
- ITA Class II or class III carriage
- U-lug pneumatic industrial tires
- Lift circuit cut-off valve
- Load backrest
- Flow control valve
- Return hydraulic filter
- Suction hydraulic strainer
- Tilt lock valve
- Transmission oil dipstick (power shift T/M)
- Transmission oil filter (power shift T/M)
- 1070mm forks
- 2-spool control valve with pressure relief

**[Controls]**

- Electric shift control lever (power shift T/M)
- Lift and tilt levers
- Multi-function switch lever with self-cancelling mechanism (Lighting & turn-signal)
- Parking brake lever with inter-lock
- Tilt adjustable steering post
- Neutral safety mechanism

**[Accessories]**

- Back-up buzzer
- Back-up lights
- Deluxe floor mat
- Pen/ Cup holder
- Electric horn
- Access-assisted hand grip
- Front combination lights (turn signal, clearance)
- Detachable and portable glove box
- Head lights - traffic purpose
- High-mounted rear combination lights
- Operator tool kit
- Side view mirrors

**[Instruments and Switch]**

- Charge indicator
- Engine oil pressure warning indicator
- Fuel gauge
- Glow indicator (Diesel)
- Hourmeter
- Ignition key engine stop (Diesel)
- Neutral safety switch
- Fuel water sedimenter indicator (Diesel)
- Water temperature gauge

**OPTIONAL LOADING ATTACHMENT**

- Bale clamp
- Carton clamp (2-3t)
- Crane arm
- Drum clamp (2-3t)
- Fork clamp (2-3t)
- Alternative lengths fork extension sleeve
- Fork positioner hydraulic type (Hook-on/ Integral)
- Fork positioner manual type
- High, wide type load backrest
- Hinged forks/ scoop
- Load push-pull (2-3t)
- Load stabilizer (2-3t)
- Alternative fork lengths
- Ram attachment
- Rotating forks (Hook-on/ Integral type)
- Rotating paper roll clamp (Hook-on/ Integral type)
- Side-shifter (Hook-on/ Integral)
- Sleeve-in hook
- Wide type fork carriage
- Wide view full free 2-stage (VFM) mast
- Wide view full free 3-stage (VFHM) mast
- Wide view full free 2-stage 4cyl (VFW) mast (2-3t)
- Wide view full free 3-stage 4cyl (VFHW) mast (2-3t)

**OPTIONAL EQUIPMENT AND ACCESSORIES****[Equipment]**

- Auxiliary hydraulic valve modules (max. 5spool)
- Central greasing system (CL)
- Color tire (white, green)
- Exhaust purify catalytic muffler (EPM)
- Front dual drive wheels (DD/ SDD)
- Power clutch (manual T/M)
- Oil clutch (manual T/M)
- Heater (HR)
- Heater & defroster (DEF)
- LPG exclusive/ Dual fuel (LPG - Gasoline) package
- Overhead exhaust system (TUE)
- Smoke reduction/spark arrester muffler (Diesel)
- Unique cushion tires (SE)
- Windshield wiper
- Steel cabin - enclosed type (SCB 001)
- Plate fin type radiator (RAD PF)
- Full open cabine (AW 061)
- Radiator dust screen (fine, medium mesh)
- Pre-cleaner engine air intake (CAK B)
- Dual element aircleaner (ADE)
- Overhead guard/ High profile 2130mm
- Overhead guard/ Low profile 1995mm
- Non-slip differential (power shift T/M)
- Fishery industry package (FC) (2-3t)
- Fingertip hydraulic valve control (FIT)
- Cabin - panel type (SCBPA)
- Synchronised steering mechanism (SRS)
- Lift lock mechanism (VLL)
- Interlock system (travel & load/unload) (SIL)
- Load sensing valve (VLS)
- High capacity radiator - High power model (RAD PF2)

**[Accessories]**

- Custom paint-work
- Fire extinguisher (FE)
- Rear working light (RWL)
- Rotating warning light (RLY/RLR)
- Tilt cylinder boots (TLB)

**[Instruments and Switch]**

- Ammeter (AM)
- O.K. monitor (fuel level, battery electrolyte level, coolant level, parking brake, air-cleaner, seat-belt)
- Speedometer (SM)
- Torque converter oil pressure gauge (TPM)
- Torque converter oil temperature gauge (power shift T/M)

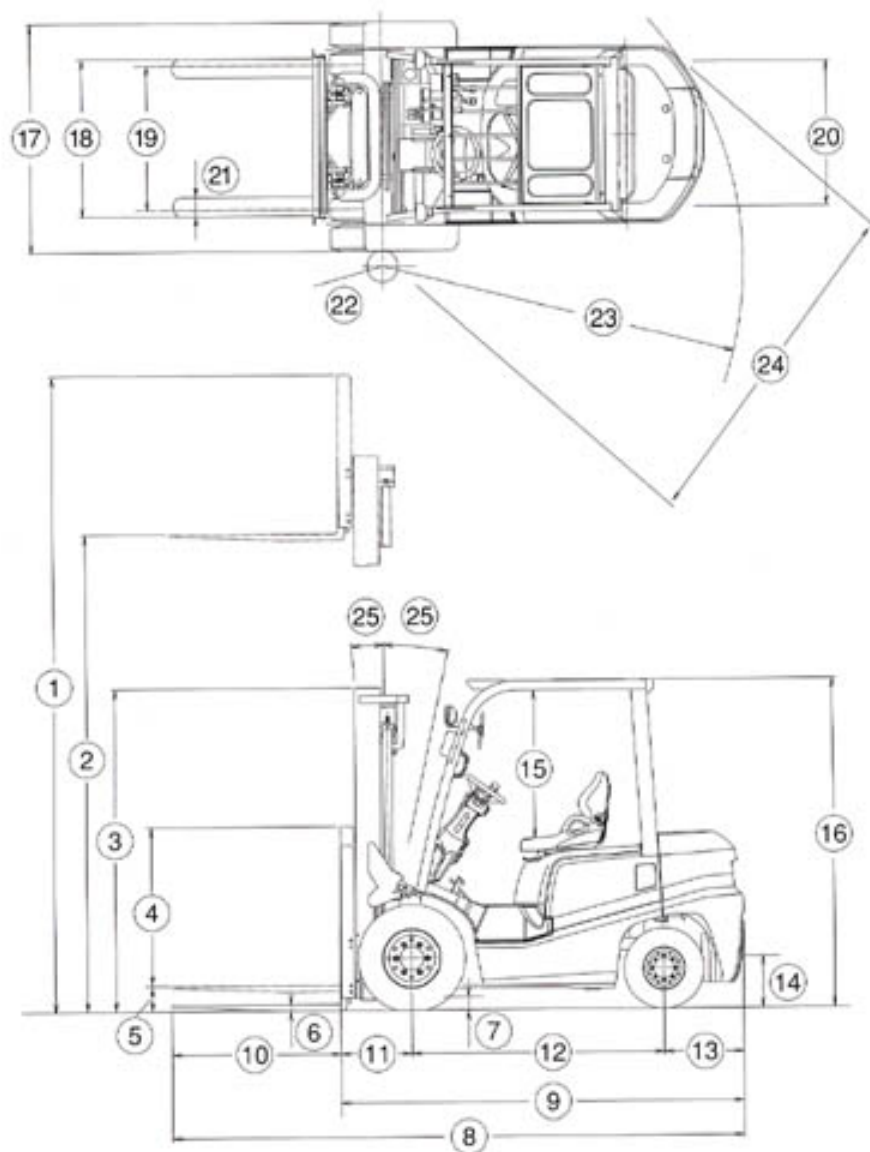
Others on request

**NOTE :**

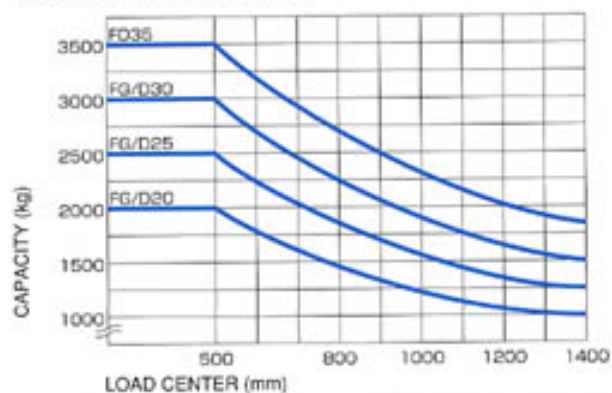
- Meets following major standards and code:
  - ISO 1074 Counter Balanced Lift Trucks, Stability & Safety Test (intl)
  - ISO 3691 Powered industrial trucks - safety code
  - JIS D6001 Industrial Lift Trucks (Japan)
  - JIS D6011 Stability & Safety Test (Japan)
- Overhead guard meets ISO 6055, JIS 6021
- In conformity with provision of the Machinery Directive 98/37/EC, as amended, and with National implementing legislation: (European and Scandinavian export trucks)
- Specifications are subject to change without notice and its may vary depending on markets. Please consult your TCM representative for details.



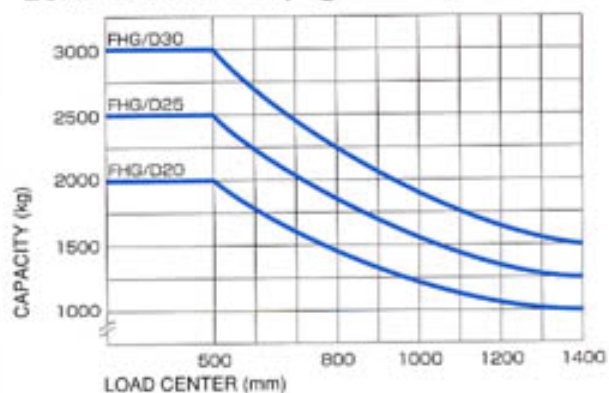
GROUND CLEARANCE	FD / FG20-25	FD / FG30	FD35T3S
	FHD / FHG20-25	FHD / FHG30	mm
	mm	mm	mm
Mast	110	140	145
Frame	120	145	190
Front axle	125	145	165
Rear axle	150	175	185
Counter weight	155	185	225



LOAD CHART 2-3.5t



LOAD CHART 2-3t(High Power)



## STANDARD DIMENSIONS

### STANDARD DIMENSIONS

Model	FD / FG20	FD / FG25	FD / FG30	FD35T3S
	FHD / FHG20	FHD / FHG25	FHD / FHG30	
	mm	mm	mm	
① Overall height, fork raised(with backrest)	4030	4030	4260	4255
② Maximum fork height	3000	3000	3000	3000
③ Mast height, fork lowered	2030	2030	2075	2135
④ Backrest height	1000	1000	1220	1220
⑤ Free lift	105	110	165	170
⑥ Fork thickness	36	40	45	50
⑦ Ground clearance(front axle)	125	125	145	145
⑧ Overall length(with forks)	3555	3625	3775	3870
⑨ Length to fork face	2485	2555	2705	2800
⑩ Fork length	1070	1070	1070	1070
⑪ Load distance(centerline of front axle to front face of forks)	450	450	480	495
⑫ Wheelbase	1600	1600	1700	1700
⑬ Rear overhang	435	505	525	605
⑭ Drawbar Pin Center Height	530	530	560	610
⑮ Overhead guard clearance(from face of seat)**	1005	1005	1005	1005
⑯ Overall height(overhead guard)**	2070	2070	2090	2140
⑰ Overall width	1150	1150	1225	1290
⑱ Fork spread(outside)	245 - 1020	245 - 1020	250 - 1090	300 - 1090
⑲ Tread (front)	970	970	1000	1060
⑳ Tread (rear)	970	970	970	970
㉑ Fork width	122	122	125	150
㉒ Inside turning radius	160	160	200	200
㉓ Outside turning radius	2170	2240	2400	2470
㉔ Minimum intersecting aisle	2210	2230	2330	2390
㉕ Tilt angles(forward-backward)	6° - 12°	6° - 12°	6° - 12°	6° - 12°

NOTE : \*\*European(EXE) and Scandinavian export trucks(EXN): +60mm

### DIMENSIONS WITH FRONT DUAL DRIVE WHEELS (option)

Model	FD / FG20	FD / FG25	FD / FG30	FD35T3S
	FHD / FHG20	FHD / FHG25	FHD / FHG30	
	mm	mm	mm	
Tire size (front dual Type: DD)	4 x 5.50-15-8PR(I)		4 x 6.00-15-10PR(I)	
	mm	mm	mm	mm
⑰ Overall width	1480	1480	1520	1600
⑲ Tread (front)	1130	1130	1170	1600
㉒ Inside turning radius	100	100	100	100
㉓ Outside turning radius	2240	2310	2430	2540
㉔ Minimum intersecting aisle	2320	2340	2445	2500
Tire size (front dual Type: SDD)	4 x 7.00 -12-12PR(I)		4 x 28 x 9-15-12PR(I)	—
	mm	mm	mm	mm
⑰ Overall width	1590	1590	1950	—
⑲ Tread (front)	1190	1190	1435	—
㉒ Inside turning radius	100	100	100	—
㉓ Outside turning radius	2280	2350	2500	—
㉔ Minimum intersecting aisle	2350	2370	2490	—



# *INOMA*

TCM retains the right to change these products and specifications without incurring any obligation relating to such changes.  
These products and specifications are subject to change without notice.  
Photos and illustrations may or may not include optional equipment and accessories.  
Features and specifications may vary depending on markets.



ISO 9001 Certification  
(TCM Shiga Plant)



ISO 14001 Certification  
(TCM Shiga Plant)

Manufactured by

## **TCM**

**TCM CORPORATION**

1-15-5 Nishi-Shimbashi, Minato-ku,  
Tokyo 105-0003 Japan  
Tel :+81 3 3591 8176  
Fax:+81 3 3591 8152  
[www.tcmglobal.net](http://www.tcmglobal.net)

Distributed by