

**RELIABLE.**  
**POWERFUL.**  
**ENVIRONMENT-FRIENDLY.**



**3.5-5t** | **DIESEL POWERED**  
**3500-5000kg** | **PNEUMATIC TIRE TRUCKS**

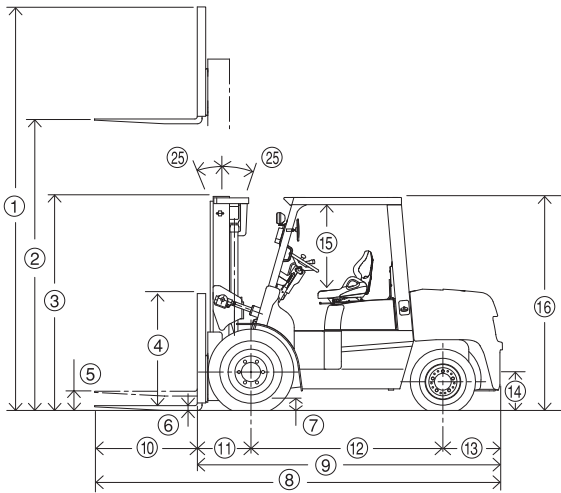
**FD35T9-C9** | 3500kg  
600mm

**FD40T9-C9** | 4000kg  
600mm

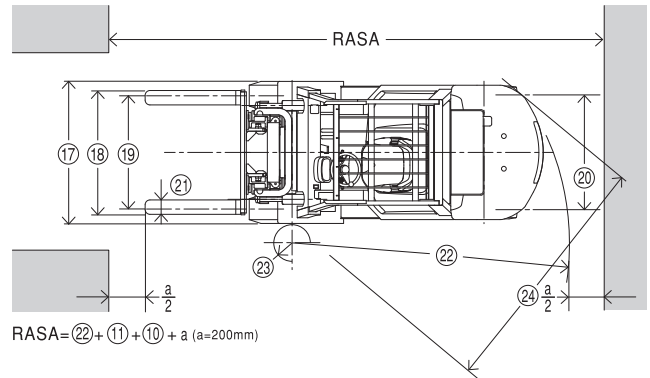
**FD45T9-C9** | 4500kg  
600mm

**FD50T9** | 5000kg  
600mm

## STANDARD DIMENSIONS



GROUND CLEARANCE	FD35T9 · C9	FD40T9 · C9	FD45T9 · C9	FD50T9
	mm	mm	mm	mm
Mast	155	155	140	140
Frame	185	185	185	185
Front axle	185	185	185	185
Rear axle	195	195	195	195
Counter weight	205	205	205	205



## STANDARD DIMENSIONS

Model	FD35T9 · C9	FD40T9 · C9	FD45T9 · C9	FD50T9
	mm	mm	mm	mm
① Overall height, fork raised (with backrest)	4265	4265	4265	4420
② Maximum fork height	3000	3000	3000	3000
③ Mast height, fork lowered	2230	2230	2235	2360
④ Backrest height	1220	1220	1215	1370
⑤ Free lift	150	150	155	160
⑥ Fork thickness	50	50	55	60
⑦ Minimum ground clearance	155	155	140	140
⑧ Overall length (with forks)	4150	4180	4260	4610
⑨ Length to fork face	3080	3110	3190	3390
⑩ Fork length	1070	1070	1070	1220
⑪ Load distance	560	560	590	590
⑫ Wheelbase	2000	2000	2000	2200
⑬ Rear overhang	520	550	600	600
⑭ Drawbar Pin Center Height	320	320	320	320
⑮ Overhead guard clearance (from face of seat)	1020	1020	1020	1020
⑯ Overall height (overhead guard)	2250	2250	2250	2250
⑰ Overall width	1480	1480	1480	1480
⑱ Fork spread (outside)	300~1290	300~1290	300~1290	300~1290
⑲ Tread (front)	1180	1180	1180	1180
⑳ Tread (rear)	1195	1195	1195	1195
㉑ Fork width	150	150	150	150
㉒ Outside turning radius	2790	2820	2860	3040
㉓ Inside turning radius	200	200	200	200
㉔ Minimum intersecting aisle	2650	2650	2700	2850
㉕ Tilt angles (forward-backward)	6°- 12°	6°- 12°	6°- 12°	6°- 12°

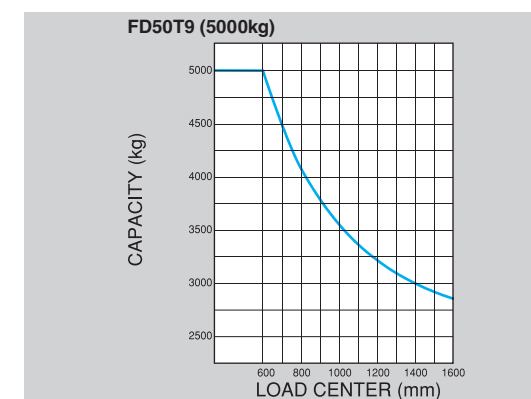
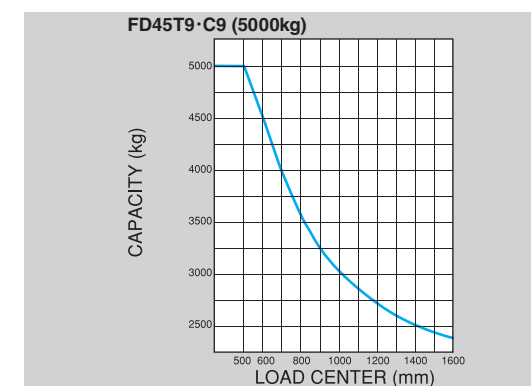
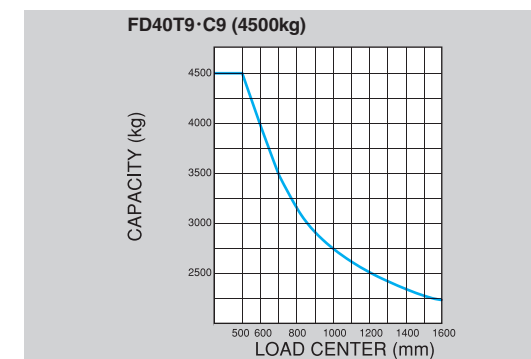
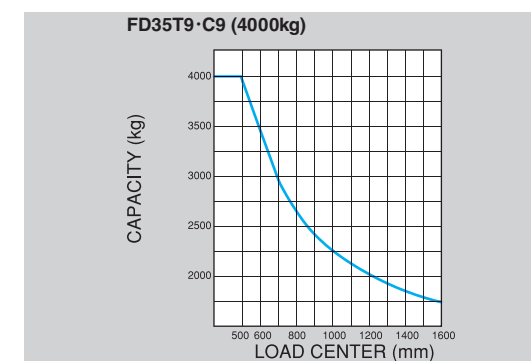
## DIMENSIONS WITH FRONT DUAL DRIVE WHEELS (option)

Model	FD35T9 · C9	FD40T9 · C9	FD45T9 · C9	FD50T9
Tire size (front dual)	7.50-16-8PR	7.50-16-8PR	7.50-16-8PR	7.50-16-8PR
Service weight	+20kg	+20kg	+20kg	+20kg
	mm	mm	mm	mm
⑰ Overall width	1830	1830	1830	1830
⑲ Tread (front)	1340	1340	1340	1340
㉒ Outside turning radius	2890	2950	2950	3125
㉓ Inside turning radius	200	200	200	200
㉔ Minimum intersecting aisle	2600	2600	2600	2750
Tire size (front dual)	8.25-15-14PR	8.25-15-14PR		
Service weight	+80kg	+80kg		
	mm	mm		
③ Mast height, fork lowered	2245	2245		
⑰ Overall width	1950	1950		
⑲ Tread (front)	1435	1435		
㉒ Outside turning radius	2920	2950		
㉓ Inside turning radius	200	200		
㉔ Minimum intersecting aisle	2600	2650		

## STANDARD SPECIFICATIONS

1	Manufacturer	UNICARRIERS						
		FD35T9 FD35C9	FD40T9 FD40C9	FD45T9 FD45C9	FD50T9			
2	Model	Power shift T/M						
		Manual shift T/M						
3	Load Capacity	Load Center 500mm	kg	4000	4500	5000	5000	
		Load Center 600mm	kg	3500	4000	4500	5000	
5	Power Type			Diesel	Diesel	Diesel	Diesel	
6	Operator Position			Sit Down Rider Type	Sit Down Rider Type	Sit Down Rider Type	Sit Down Rider Type	
7	Tire Type	Front / Rear		Pneumatic	Pneumatic	Pneumatic	Pneumatic	
8	Wheels (X=driven)	Front / Rear		2 X / 2	2 X / 2	2 X / 2	2 X / 2	
9	Maximum Fork Height		mm	3000	3000	3000	3000	
10	Free Lift		mm	150	150	155	160	
13	Fork Size	L X W X T	mm	1070 X 150 X 50	1070 X 150 X 50	1070 X 150 X 55	1220 X 150 X 60	
	Fork Spread (Outside)	Max. / Min.	mm	1290 / 300	1290 / 300	1290 / 300	1290 / 300	
14	Tilt Angle	Fwd./ Bwd.	deg	6 / 12	6 / 12	6 / 12	6 / 12	
15	Length to Fork Face		mm	3080	3110	3190	3390	
16	Overall Width		mm	1480	1480	1480	1480	
17	Mast Height Fork Lowered		mm	2230	2230	2235	2360	
18	Mast Height Fork Raised		mm	4265	4265	4265	4420	
19	Overhead Guard Height		mm	2250	2250	2250	2250	
21	Turning Radius (Outside)		mm	2790	2820	2860	3040	
22	Load Distance (Centerline of front axle to front face of forks)		mm	560	560	590	590	
	Rear Overhang		mm	520	550	600	600	
23	Basic Right Angle Stacking Aisle Width		mm	4750	4780	4850	5030	
24	Speeds	Travel Max.	Power shift T/M fwd/rvs	km/h	26.0 / 19.5	26.0 / 19.5	26.0 / 19.0	26.0 / 19.0
			Manual shift T/M fwd/rvs	km/h	19.5 / 19.0	19.5 / 19.0	19.5 / 19.0	
		Lifting	Full load	mm/sec	540	540	480	480
			No load	mm/sec	580	580	520	520
26	Lowering	Full load	mm/sec	500	500	450	450	
		No load	mm/sec	550	550	500	500	
28	Max. Drawbar Pull	Power shift T/M	Full / No load	kN	33.3 / 17.6	33.3 / 17.6	34.3 / 18.6	34.3 / 18.6
		Manual shift T/M	Full / No load	kN	21.1 / 17.6	21.1 / 17.6	21.6 / 18.6	
29	Max. Gradeability*	Power shift T/M	Full / No load	%	33 / 20	30 / 20	27 / 20	25 / 20
		Manual shift T/M	Full / No load	%	18 / 20	16 / 18	15 / 16	
32	Total Weight	Power shift T/M		kg	6100	6450	6960	7260
		Manual shift T/M		kg	6060	6410	6920	
33	Weight Distribution (Powershift T/M)	Full load	Front	kg	8410	9140	10130	10980
		Rear	kg	1190	1310	1330	1280	
34	No load	Front	kg	2880	2820	2950	3270	
		Rear	kg	3220	3630	4010	3990	
33	Weight Distribution (Manual shift T/M)	Full load	Front	kg	8370	9100	10090	
		Rear	kg	1190	1310	1330		
34	No load	Front	kg	2840	2780	2910		
		Rear	kg	3220	3630	4010		
35	Tires	Number	Front / Rear		2 / 2	2 / 2	2 / 2	
36	Size	Front			300-15-18PR (I)	300-15-18PR (I)	300-15-18PR (I)	
37		Rear			7.00-12-12PR (I)	7.00-12-12PR (I)	7.00-12-14PR (I)	
38	Wheelbase		mm	2000	2000	2000	2200	
39	Tread	Front	mm	1180	1180	1180	1180	
		Rear	mm	1195	1195	1195	1195	
	Backset Height		mm	1220	1220	1215	1370	
	Overhead Guard Clearance		mm	1020	1020	1020	1020	
	Counterweigh Height		mm	1320	1320	1320	1320	
	Drawbar Pin Center Height		mm	320	320	320	320	
	Floor Height		mm	845	845	845	845	
40	Under clearance	Min Full Load	mm	155	155	140	140	
41		Center of wheelbase	mm	185	185	185	185	
42	Brake	Service (Foot)			Hydraulic-Foot pedal	Hydraulic-Foot pedal	Hydraulic-Foot pedal	
43		Parking			Mechanical - Hand lever	Mechanical - Hand lever	Mechanical - Hand lever	
45	Battery	Voltage / Capacity (5HR)	V/AH		2x 12V / 60AH	2x 12V / 60AH	2x 12V / 60AH	
49	Internal Combustion Engine	Make / Model			MITSUBISHI / S6S	MITSUBISHI / S6S	MITSUBISHI / S6S	
50		Rated Output / r.p.m			64.7kW / 2300r.p.m. : 88PS / 2300r.p.m.	64.7kW / 2300r.p.m. : 88PS / 2300r.p.m.	64.7kW / 2300r.p.m. : 88PS / 2300r.p.m.	
51		Max Torque / r.p.m.			284N·m / 1600r.p.m. : 29kgf·m / 1600r.p.m.	284N·m / 1600r.p.m. : 29kgf·m / 1600r.p.m.	284N·m / 1600r.p.m. : 29kgf·m / 1600r.p.m.	
52		Number of Cylinders	Nm/r.&m		6	6	6	
	Displacement	cc		4996	4996	4996		
	Fuel Tank Capacity	liter		115	115	115		
55	Transmission	Power shift T/M			2/1 - Automatic Power-shift T/M	2/1 - Automatic Power-shift T/M	2/1 - Automatic Power-shift T/M	
		Manual shift T/M			2/2 - Manual shift T/M	2/2 - Manual shift T/M	2/2 - Manual shift T/M	
57	Operating Pressure	For Attachments	kg/cm <sup>2</sup>		180	180	180	

## LOAD CHART



**NOTE :**  
 Capacities shown are computed with upright in vertical position.  
 Load center are determined front face of forks.  
 Capacities are based on a 1000mm cube load configuration with the center of gravity (C.G.) at the true center of the cube, and standard forks.  
 Truck capacities with upright in forward tilt position will be less.  
 Long forks, and unusually wide or tall loads may also reduce capacity.  
 Contact TCM representative for capacity information on irregular loads.  
 Specific capacities are shown on truck nameplates.  
 UniCarriers Corporation Industrial Trucks are equipped with certain safety devices as standard equipment.  
 TCM will not assume any liability for injuries or damage arising from or caused by the removal of any safety devices from any of its products.



## STANDARD EQUIPMENT AND ACCESSORIES

### [Equipment]

- Asbestos-free brake shoe material
- Centrifugal air cleaner
- Coolant recovery system
- Cylinder type bonnet latch with locking function
- Deluxe suspension seat with seat-belt
- Drawbar device
- Engine after glow system
- Engine auto glow system
- Fuel water sedimenter
- Full hydraulic power steering
- Heavy duty overhead guard
- Hi-visibility, wide view mast (VM300)
- Hydraulic oil dipstick
- ITA Class III & IV carriage
- J-lug long life tires
- Lift circuit cut-off valve
- Load backrest
- Overhead air intake system
- Power-assisted brake
- Power-assisted oil clutch (manual shift T/M)
- Retaining rollers
- Return hydraulic filter
- Suction hydraulic strainer
- Tilt lock valve
- Transmission oil dipstick (power shift T/M)
- Transmission oil filter (power shift T/M)
- 1070mm forks (1220mm for 5 ton)
- 2-spool control valve with pressure relief

### [Controls]

- Electric shift control lever (power shift T/M)
- Lift and tilt levers
- Multi-function switch lever (lighting and turn-signal) with self-cancelling mechanism
- Parking brake lever with inter-lock
- Tilt adjustable steering post

### [Accessories]

- Access-assisted hand grip
- Back-up alarm buzzer
- Back-up lights
- Deluxe non-slip floor mat
- Documents clip
- Documents holder
- Electric horn
- Front combination lights (turn signal, clearance)
- Glove compartment / Pen holder
- Head lights traffic purposes
- High-mounted rear combination lights (tail, brake, back-up, turn signal and reflector)
- Operator tool kit
- Overhead guard canvas
- Side view mirrors
- Tilt cylinder covers

### [Instruments and Switch]

- Charge indicator
- Engine oil pressure warning indicator
- Fuel gauge
- Fuel sedimenter indicator
- Glow indicator
- Hourmeter
- Ignition key engine stop
- Neutral safety switch
- Water temperature gauge

## OPTIONAL LOADING ATTACHMENT

- Alternative fork lengths
- Bale clamp
- Carton clamp (on request)
- Crane arm (on request)
- Drum clamp (on request)
- Fork clamp (on request)
- Fork extension sleeves
- Fork positioner (hydraulic type)
- Fork positioner (manual type)
- High, wide type load backrest
- Hinged forks, bucket
- Load push-pull (on request)
- Load stabilizer (on request)
- Ram
- Rotating bale clamp
- Rotating forks (hook-on, integral type)
- Rotating paper roll clamp (hook-on, integral type)
- Side shift
- Sleeve-in hook (on request)
- Wide type fork carriage
- Wide view full free 2-stage (VFM) mast
- Wide view full free 3-stage (VFHM) mast

## OPTIONAL EQUIPMENT AND ACCESSORIES

### [Equipment]

- Air-conditioner (steel cabin) (SCBAC)
- Auxiliary hydraulic valve modules
- Central greasing system (CL)
- Color tire (white, green) (TUW·G)
- Dual element aircleaner (ADE)
- Engine air precleaner (CAKB)
- Exhaust purify catalytic muffler (EPM)
- Front dual drive wheels (DD/SDD)
- Heater (HR)
- Heater & defroster (steel cabin) (DEF)
- High profile overhead guard (2400mm) (HGH)
- Hydraulic oil cooler (CRH)
- Low profile overhead guard (2130mm) (HGL)
- Overhead exhaust system (TUE)
- Plate fin radiator (RAD PF)
- Radiator dust screen (fine, medium mesh) (DSR)
- Semi-integral type power steering
- Smoke reduction/spark arrester muffler (CBM)
- Solid tires (Unique cushion tires) (SE)
- Steel cabin (SCB001)
- Windshield with wiper (AW071)

### [Accessories]

- Custom paint-work
- Fire extinguisher (FE)
- Rear working light (RWL)
- Rotating warning light (Beacon) (RLY/RLR)
- Steering cylinder boot (PSB)  
(This applies to the semi-integral type power steering only.)
- Tilt cylinder covers (TLB)

### [Instruments and Switch]

- Air cleaner clogging warning indicator
- Ammeter (AM)
- O.K. monitor (OKM)  
(battery electrolyte level, coolant level, parking brake, air-cleaner)
- Speedometer (SM)
- Torque converter oil pressure gauge (TPM)
- Torque converter oil temperature gauge (TTM)  
(power shift T/M)

Others on request

## NOTES : ●Meets following major standards and code:

- ISO22915-2 Counter Balanced Lift Trucks, Stability & Safety Test (Int'l)
- JIS D6001 Industrial Lift Trucks (Japan)
- ISO D6011 Stability & Safety Test (Japan)
- Overhead guard meets ISO 6055, JIS D6021

# *FD Series*

FD35 / FD40 / FD45 / FD50

- UniCarriers Corporation retains the right to change these products and specifications without incurring any obligation relating to such changes.
- These products and specifications are subject to change without notice.
- Photos and illustrations may or may not include optional equipment and accessories.
- Features and specifications may vary depending on markets.
- Performance data and dimensions are nominal and subject to tolerances.
- Produced in ISO certified factory.