

**TCM**

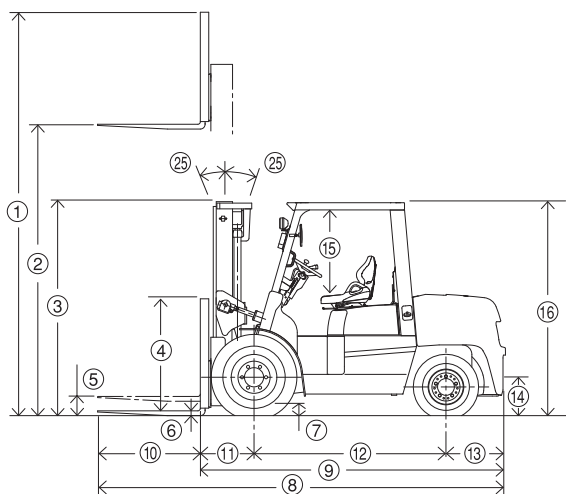
**RELIABLE.**  
**POWERFUL.**  
**ENVIRONMENT-FRIENDLY.**



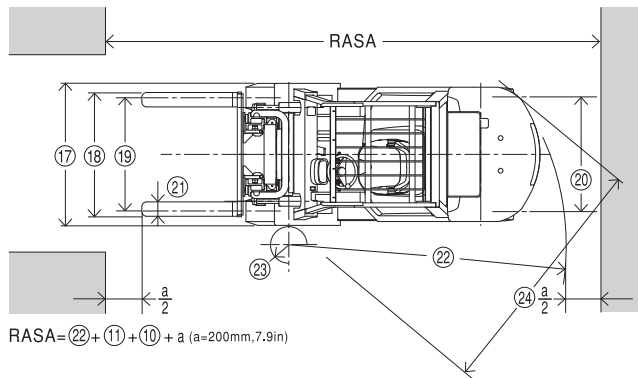
**3.5-5t** | **DIESEL POWERED**  
**8000-11000lbs.** | **PNEUMATIC TIRE TRUCKS**

**FD35T2** | 3500kg/600mm  
8000lbs/24in    **FD40T2** | 4000kg/600mm  
9000lbs/24in    **FD45T2** | 4500kg/600mm  
10000lbs/24in    **FD50T2** | 5000kg/600mm  
11000lbs/24in

## STANDARD DIMENSIONS



	FD35T2 / FD40T2		FD45T2 / FD50T2	
	mm	in	mm	in
Mast	155	6.1	140	5.5
Frame	185	7.3	185	7.3
Front axle	185	7.3	185	7.3
Rear axle	195	7.7	195	7.7
Counter weight	205	8.1	205	8.1



## STANDARD DIMENSIONS

Model	FD35T2		FD40T2		FD45T2		FD50T2	
	mm	in	mm	in	mm	in	mm	in
① Overall height, fork raised (with backrest)	4265	167.9	4265	167.9	4265	167.9	4420	174.0
② Maximum fork height	3000	118.1	3000	118.1	3000	118.1	3000	118.1
③ Mast height, fork lowered	2230	87.8	2230	87.8	2235	88.0	2360	92.9
④ Backrest height	1220	48.0	1220	48.0	1220	48.0	1370	53.9
⑤ Free lift	150	5.9	150	5.9	155	6.1	160	6.3
⑥ Fork thickness	50	2.0	50	2.0	50	2.0	60	2.4
⑦ Minimum ground clearance	155	6.1	155	6.1	155	6.1	155	6.1
⑧ Overall length (with forks)	4150	163.4	4180	164.6	4260	167.7	4610	181.5
⑨ Length to fork face	3080	121.3	3110	122.4	3190	125.6	3390	133.5
⑩ Fork length	1070	42.1	1070	42.1	1070	42.1	1220	48.0
⑪ Load distance	560	22.0	560	22.0	590	23.2	590	23.2
⑫ Wheelbase	2000	78.7	2000	78.7	2000	78.7	2200	86.6
⑬ Rear overhang	520	20.5	550	21.7	600	23.6	600	23.6
⑭ Drawbar Pin Center Height	320	12.6	320	12.6	320	12.6	320	12.6
⑮ Overhead guard clearance (from face of seat)	1020	40.2	1020	40.2	1020	40.2	1020	40.2
⑯ Overall height (overhead guard)	2250	88.6	2250	88.6	2250	88.6	2250	88.6
⑰ Overall width	1480	58.3	1480	58.3	1480	58.3	1480	58.3
⑱ Fork spread (outside)	300~1290	11.8~50.8	300~1290	11.8~50.8	300~1290	11.8~50.8	300~1290	11.8~50.8
⑲ Tread (front)	1180	46.5	1180	46.5	1180	46.5	1180	46.5
⑳ Tread (rear)	1195	47.0	1195	47.0	1195	47.0	1195	47.0
㉑ Fork width	150	5.9	150	5.9	150	5.9	150	5.9
㉒ Outside turning radius	2790	109.8	2815	110.8	2860	112.6	3035	119.5
㉓ Inside turning radius	200	7.9	200	7.9	200	7.9	200	7.9
㉔ Minimum intersecting aisle	2640	103.9	2650	104.3	2670	105.1	2780	109.4
㉕ Tilt angles (forward-backward)	6° - 12°	6° - 12°	6° - 12°	6° - 12°	6° - 12°	6° - 12°	6° - 12°	6° - 12°

## DIMENSIONS WITH FRONT DUAL DRIVE WHEELS (option)

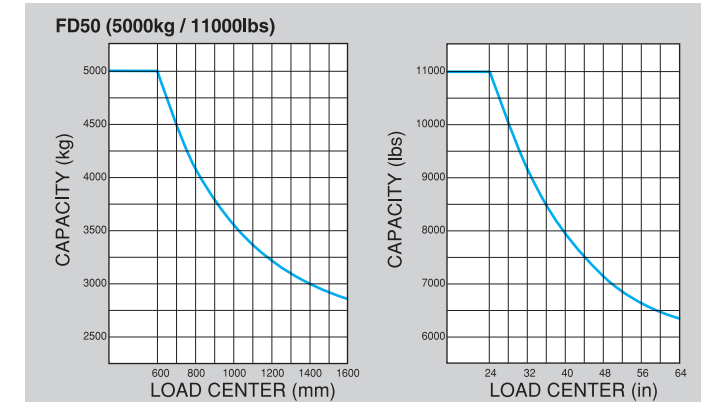
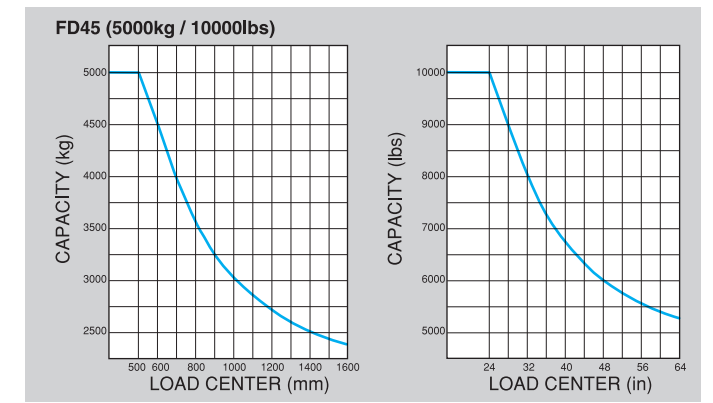
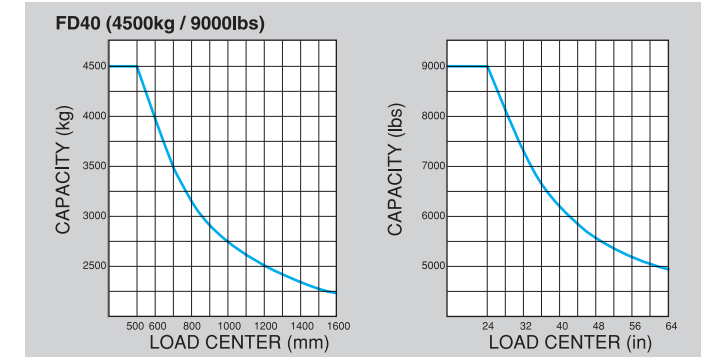
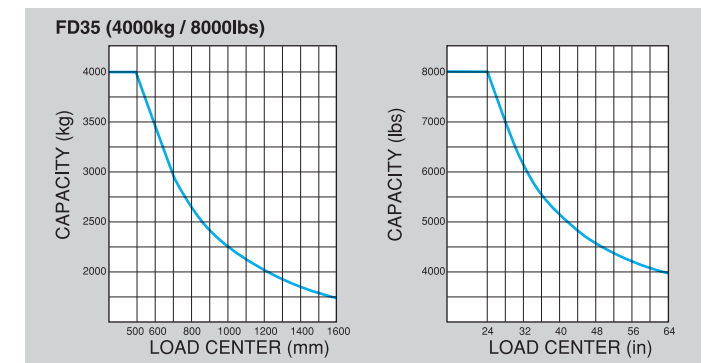
Model	FD35T2		FD40T2		FD45T2		FD50T2	
	mm	in	mm	in	mm	in	mm	in
Tire size (front dual)	7.50-16-8PR		7.50-16-8PR		7.50-16-8PR		7.50-16-8PR	
Service weight	+20kg	+45lbs	+20kg	+45lbs	+20kg	+45lbs	+20kg	+45lbs
⑰ Overall width	1830	72.0	1830	72.0	1830	72.0	1830	72.0
⑲ Tread (front)	1340	52.8	1340	52.8	1340	52.8	1340	52.8
㉒ Outside turning radius	2890	113.8	2950	116.1	2950	116.1	3120	122.8
㉓ Inside turning radius	200	7.9	200	7.9	200	7.9	200	7.9
㉔ Minimum intersecting aisle	2800	110.2	2800	110.2	2800	110.2	2950	116.1
Tire size (front dual)	8.25-15-14PR		8.25-15-14PR		-	-	-	-
Service weight	+80kg	+180lbs	+80kg	+180lbs	-	-	-	-
③ Mast height, fork lowered	2245	88.4	2245	88.4	-	-	-	-
⑰ Overall width	1950	76.8	1950	76.8	-	-	-	-
⑲ Tread (front)	1435	56.5	1435	56.5	-	-	-	-
㉒ Outside turning radius	2920	115.0	2950	116.1	-	-	-	-
㉓ Inside turning radius	200	7.9	200	7.9	-	-	-	-
㉔ Minimum intersecting aisle	2800	110.2	2850	112.2	-	-	-	-

**STANDARD SPECIFICATIONS**

				UNICARRIERS							
				FD35T2	FD40T2	FD45T2	FD50T2				
Characteristics	1	Manufacturer									
	2	Model									
	3	Load Capacity	Load Center 500mm	kg	4000	4500	5000	5000			
			Load Center 600mm (24in)	kg (lbs)	3500 (8000)	4000 (9000)	4500 (10000)	5000 (11000)			
	5	Power Type		Diesel							
	6	Operator Position		Sit Down Rider Type							
	7	Tire Type	Front / Rear		Pneumatic						
	8	Wheels (X=driven)	Front / Rear		2 X / 2						
Dimensions	9	Maximum Fork Height		3000 (118.1)							
	10	Free Lift		150 (5.9)							
	13	Fork Size	L X W X T	mm (in)	1070 X 150 X 50 (42.1 X 5.9 X 2.0)	1070 X 150 X 50 (42.1 X 5.9 X 2.0)	1070 X 150 X 50 (42.1 X 5.9 X 2.0)	1220 X 150 X 60 (48.0 X 5.9 X 2.4)			
			Fork Spread (Outside)	mm (in)	1290 (50.8) / 300 (11.8)	1290 (50.8) / 300 (11.8)	1290 (50.8) / 300 (11.8)	1290 (50.8) / 300 (11.8)			
	14	Tilt Angle	Fwd / Bwd	deg	6 / 12	6 / 12	6 / 12	6 / 12			
	15	Length to Fork Face		3080 (121.3)							
	16	Overall Width		1480 (58.3)							
	17	Mast Height Fork Lowered		2230 (87.8)							
	18	Mast Height Fork Raised		4265 (167.9)							
	19	Overhead Guard Height		2250 (88.6)							
	21	Turning Radius (Outside)		2790 (109.8)							
	22	Load Distance (Centerline of Front Axle to Front Face of Forks)		560 (22.0)							
		Rear Overhang		520 (20.5)							
Performance	23	Basic Right Angle Stacking Aisle Width		5440 (214.2)							
	24	Travel Max.	No Load	Fwd / Rvs	km/h (mph)	26.0 (16.1) / 20.0 (12.4)	26.0 (16.1) / 20.0 (12.4)	26.0 (16.1) / 20.0 (12.4)	26.0 (16.1) / 20.0 (12.4)		
			Lifting	Full Load		mm/s (fpm)	570 (112.2)	570 (112.2)	530 (104.4)	500 (98.5)	
				No Load		mm/s (fpm)	590 (116.2)	590 (116.2)	550 (108.3)	550 (108.3)	
	26	Lowering	Full Load		mm/s (fpm)	500 (98.5)	500 (98.5)	450 (88.6)	450 (88.6)		
			No Load		mm/s (fpm)	550 (108.3)	550 (108.3)	500 (98.5)	500 (98.5)		
	28	Max. Drawbar Pull		Full / No Load		kN(lbs)	34.3 / 17.2 (7720 / 3860)	34.3 / 17.2 (7720 / 3860)	34.3 / 17.7 (7720 / 3970)	34.3 / 18.6 (7720 / 4190)	
	29	Max. Gradeability*		Full Load		%	29	25	22	20	
				No Load		%	20	20	20	20	
	Weight	32	Total Weight		kg (lbs)				6090 (13430)	6440 (14200)	6980 (15390)
33		Weight Distribution	Full Load	Load Center 600mm (24in)	Front	kg (lbs)	8390 (18950)	9210 (20390)	10140 (22480)	10990 (24190)	
				Rear	kg (lbs)	1200 (2480)	1320 (2810)	1340 (2910)	1290 (2860)		
			No Load	Front	kg (lbs)	2860 (6310)	2800 (6170)	2960 (6530)	3280 (7230)		
	Rear			kg (lbs)	3230 (7120)	3640(8030)	4020 (8860)	4000 (8820)			
Chassis & Wheels	35	Tires		Number		Front / Rear		2 / 2			
	36	Size	Front		300-15-18PR (I)		300-15-18PR (I)		300-15-18PR (I)		
			Rear		7.00-12-12PR (I)		7.00-12-12PR (I)		7.00-12-14PR (I)		
	37	Wheelbase		mm (in)		2000 (78.7)		2000 (78.7)			
Engine & Transmission	38	Tread	Front	mm (in)	1180 (46.5)	1180 (46.5)	1180 (46.5)	1180 (46.5)			
			Rear	mm (in)	1195 (47.0)	1195 (47.0)	1195 (47.0)	1195 (47.0)			
	39	Backrest Height		mm (in)		1220 (48.0)		1220 (48.0)			
	40	Overhead Guard Clearance		mm (in)		1020 (40.2)		1020 (40.2)			
	41	Counterweight Height		mm (in)		1320 (52.0)		1320 (52.0)			
	42	Drawbar Pin Center Height		mm (in)		320 (12.6)		320 (12.6)			
	43	Floor Height	mm (in)		845 (33.3)		845 (33.3)		845 (33.3)		
			Min Full Load		mm (in)		155 (6.1)		155 (6.1)		
44	Underclearance	Center of wheelbase		mm (in)		185 (7.3)		185 (7.3)			
		Service (Foot)				Hydraulic - Foot pedal		Hydraulic - Foot pedal			
45	Brake	Parking				Mechanical - Hand lever		Mechanical - Hand lever			
		Voltage / Capacity (5HR)		V/AH		2x 12 / 60		2x 12 / 60			
Engine & Transmission	49	Make - Model			MITSUBISHI S6S - T		MITSUBISHI S6S - T		MITSUBISHI S6S - T		
			Rated Output / r.p.m.		Hp/rpm		91 / 2300 SAE GROSS		91 / 2300 SAE GROSS		91 / 2300 SAE GROSS
	50	Internal Combustion Engine	kW/rpm		64 / 2300		64 / 2300		64 / 2300		
			PS/rpm		87 / 2300		87 / 2300		87 / 2300		
			lb-ft/rpm		216.1 / 1700		216.1 / 1700		216.1 / 1700		
			Max. Torque / r.p.m.		N · m/rpm		293 / 1700		293 / 1700		293 / 1700
	51	Number of Cylinders			6		6		6		
			Displacement		lit (cu-in)		4.996 (304.9)		4.996 (304.9)		
52	Fuel Tank Capacity		lit (US gal.)		115 (30.5)		115 (30.5)		115 (30.5)		
	55	Transmission	Type		Automatic Power Shift		Automatic Power Shift		Automatic Power Shift		
Stage Fwd. -Rvs			2 - 1		2 - 1		2 - 1				
57	Operating Pressure		For Attachment		kg/cm <sup>2</sup> (psi)		180 (2560)		180 (2560)		

NOTE : \* Computed Values & subject to load condition

**LOAD CHART**



**NOTE :**  
 Capacity shown is computed with upright in vertical position. Load center are determined front face of forks. Capacities are based on a 1000mm or 48in cube load configuration with the center of gravity (C.G.) at the true center of the cube, and standard forks. Truck capacities with upright in forward tilt position will be less. Long forks, and unusually wide or tall loads may also reduce capacity. Contact TCM representative for capacity information on irregular loads. Specific capacities are shown on truck nameplates. TCM Industrial Trucks are equipped with certain safety devices as standard equipment. UniCarriers Corporation will not assume any liability for injuries or damage arising from or caused by the removal of any safety devices from any of its products.



**STANDARD EQUIPMENT AND ACCESSORIES****[Equipment]**

- Adjustable ORS seat with belt
- Asbestos-free brake shoe material
- Automatic shifting T/M
- Converter oil cooler
- Donaldson cyclopac aircleaner
- Drawbar device
- Durable overhead guard
- Flow control valve
- Forks standard length<sup>1)</sup>
- Fuel filter & water sedimenter(WTS)
- Full hydrostatic power steering(OBT)
- Gas cylinder type bonnet latch
- High capacity alternator 50A
- High -visibility wide-view mast(VM300)
- Hydraulic return filter
- Lift circuit cut-off valve
- Load backrest
- Long-life pneumatic tires
- Neutral start safety system
- Power assist brake system
- Radiator coolant reservoir
- Transmission oil dipstick
- Transmission oil return filter
- Traveling interlock system
- 2-spool control valve with pressure relief

**[Controls]**

- Auto glow system
- Electric T/M shift control lever
- Key switch-engine start/stop
- Lift and tilt levers
- Multi-function switch lever with self-cancelling mechanism(Lighting & turn-signal)
- Parking brake lever with inter-lock
- Tilt adjustable steering post

**[Instruments and Switch]**

- Battery charging indicator
- Electric horn
- Engine glow indicator
- Engine hourmeter
- Engine oil pressure warning indicator
- Fuel gauge
- Neutral safety indicator
- Water sedimenter indicator
- Water temperature gauge

**[Accessories]**

- Access-assisted handgrip
- Back-up buzzer
- Back-up light
- Deluxe floor mat
- Front combination lights (turn signal, clearance)
- Head lights - traffic purpose
- Pen holder
- Rear combination lights
- Side view mirrors

1) Std. fork 1070mm(42in.) for 3.5~4.5ton models  
Std. fork 1220mm(48in.) for 5ton model.

**OPTIONAL EQUIPMENT AND ACCESSORIES****[Equipment]**

- Airconditioner(SCB AC)
- Auxiliary hydraulic valve module(3SV-4SV-5SV)
- Dual airelement(ADE)
- Fingertip hydraulic levers(FIT)
- Front windshield with wiper(AW071)
- Heater(HR)
- Heater & defroster(SCB DEF)
- Hydraulic oil cooler(CRH)
- Large capacity converter oil cooler(CRC)
- Metallic disk(MDK)
- Overhead exhaust(TUE)
- Plate(straight) fin radiator(RADPF)
- Pneumatic shaped cushion tires(SE)
- Pre-aircleaner(CAKB)
- Radiator dust screen(DSR)
- Right hand direction lever(LCR)
- Steel cabin(SCB)
- Steel net roof on overhead guard(HGD)
- Tilt cylinder boots(TLB)
- Wide tread(WT)
- 1- speed automatic transmission(1S)

**[Instruments and Switch]**

- High-volume backup buzzer(BBH)
- O.K.monitor(OKM)
  - For.
    - Aircleaner clogging
    - Electrolyte level
    - Engine coolant level
    - Parking brake warning
    - Seat belt warning
- Speedometer(SM)
- Torqueconverter oil pressure gauge(TPM)
- Torqueconverter oil temp. gauge(TTM)

**[Accessories]**

- Custom paint works(P)
- Fire extinguisher(FE)
- Rear working light(RWL)
- Rotating warning light(RLY/RLR)

**OPTIONAL LOADING ATTACHMENT**

- Alternative fork length(LF)
- Bale clamp(LG)
- Fork extension sleeve(EF)
- Fork positioner hydraulic cyl type(FS)
- Fork positioner manual type(FSM)
- Hinged forks(HF)
- Hinged scoop(HFS)
- Lifting-eye(HC)
- Ram(RA)
- Rotating forks hook-on type(RF)
- Side shifter(SS)
- Wide type backrest(WBR)
- Wide type fork carriage(WF)
- Wide view full free 2-stage mast(VFM)
- Wide view full free 3-stage mast(VFHM)

- Meets following major standards and code:  
ISO22915-2 Counter Balanced Lift Trucks, Stability & Safety Test(Int'l)  
JIS D6001 Industrial Lift Trucks (Japan)  
ISO D6011 Stability & Safety Test (Japan)
- Overhead guard meets ISO 6055, JIS D6021



- UniCarriers Corporation retains the right to change these products and specifications without incurring any obligation relating to such changes.
- These products and specifications are subject to change without notice.
- Photos and illustrations may slightly differ from the actual trucks.
- Photos and illustrations may or may not include optional equipment and accessories.
- Features and specifications may vary depending on markets.
- Produced in ISO certified factory.