



## **SR18AJ/SR18A** **SR21AJ/SR21A**

Both these robust AICHI telescopic working platforms can be used for heights of up to 20 m or 23 m, respectively.



*The horizontal/vertical steering and control system affords synchronous horizontal and vertical movements during work with just one joystick.*

The crawler wheel running gear can negotiate the most difficult off-road conditions, but can also be employed on sensitive surfaces with the non-marking rubber pads that are optionally available.

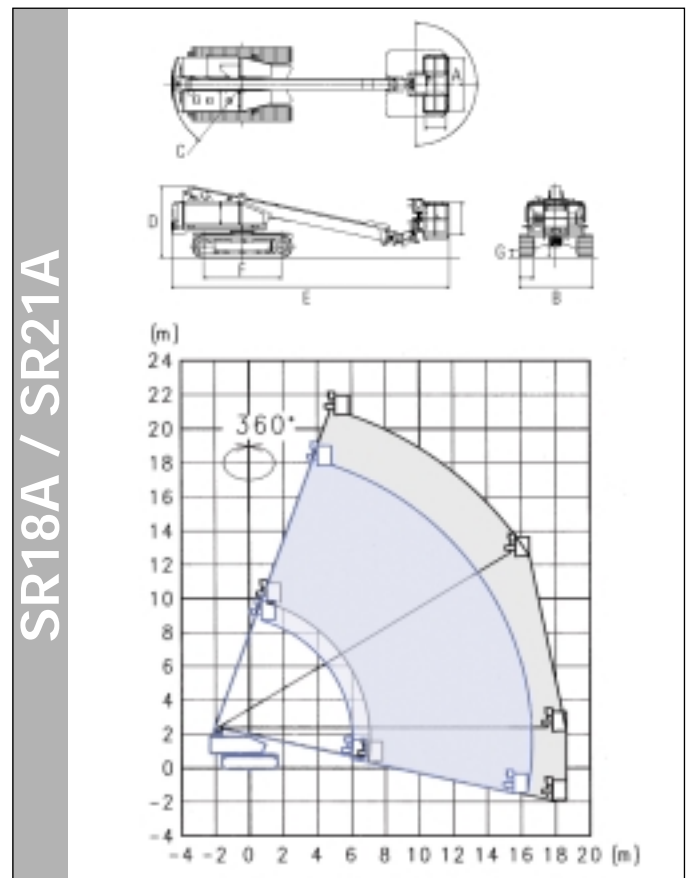
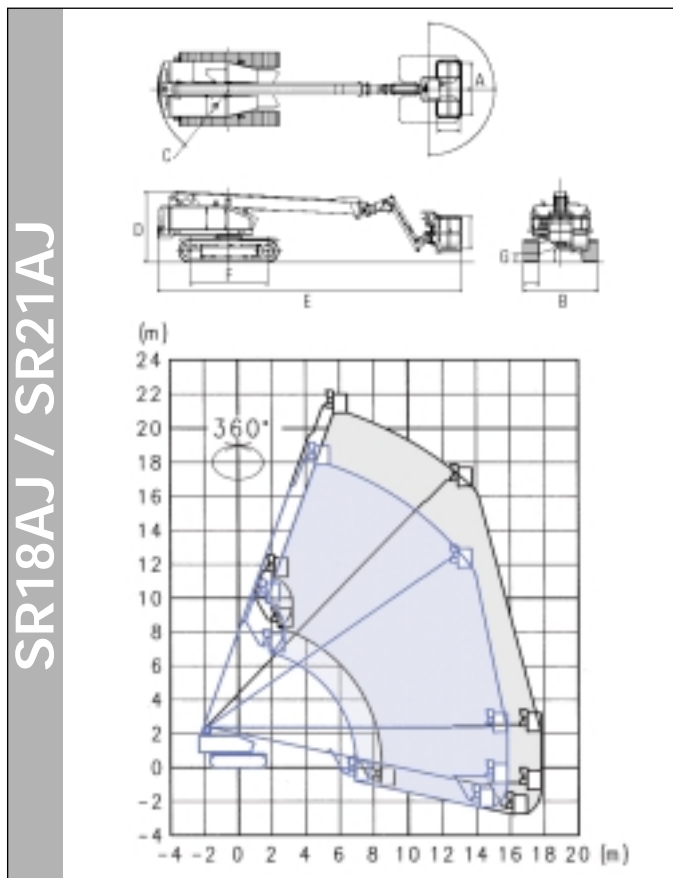
The very stable elements of the 3-part telescopic arm rest on rollers. The travelling, hoisting and swiveling speed are continuously monitored with the help of the integrated smooth system and automatically adjusted, if necessary.

The full warranty period for the equipment of the SR series is 12 month throughout, with another 48 months on top of it for the steel structure.

AICHI equipment is extremely reliable. The high-quality products have been designed for daily use in the most difficult conditions.



Specifications	SR18AJ	SR18A	SR21AJ	SR21A	
REACH SPECIFICATIONS	Platform Height	18.0 m		21.0	
	Horizontal Outreach	15.8 m	16.7 m	17.8 m	18.6 m
	Swing	360 degree, continuous		360 degree, continuous	
	Platform Capacity	227 kgs		227 kgs	
	Platform Rotator	180 Grad (90, 90)		180 Grad (90, 90)	
	Jib Range of Articulation	130 degrees (+70,-60)	N/A	130 degrees (+70,-60)	N/A
DIMENSION DATA	A: Platform Size	1.8 m x 0.75 m (Std), 2.4 m x 0.75 m (Opt)		1.8 m x 0.75 m (Std), 2.4 m x 0.75 m (Opt)	
	B: Overall Width	2.46 m		2.46 m	
	C: Tailswing	1.13 m		1.13 m	
	D: Overall Height	2.35 m		2.35 m	
	E: Overall Length	10.04 m	9.17 m	11.57 m	10.15 m
	F: Tumbler center distance	2.575 m		2.575 m	
	G: Ground Clearance	0.425 m		0.425 m	
	Gross Vehicle Weight	12,900 kgs	12,800 kgs	15,200 kgs	14,900 kgs
CHASSIS	Traveling Speed	2.0 km/h		2.0 km/h	
	Gradeability stowed	48 % (26 degrees)		48 % (26 degrees)	
POWER SOURCE	Diesel Engine	Isuzu A 4JB1, PAA-22 (44.3 KW/2,400 rpm)		Isuzu A 4JB1, PAA-22 (44.3 KW/2,400 rpm)	
	Fuel Tank Capacity	150 liter		150 liter	
SAFETY	Standard Features	H-V Control, Travel Speed Control, Rotation Speed Control, Lifting Speed Control, All Motion Alarm, Lever Guard		H-V Control, Travel Speed Control, Rotation Speed Control, Lifting Speed Control, All Motion Alarm, Lever Guard	



Technical specifications may change without notice!



AICHI PLATFORM SERVICE EUROPE BV  
 Maxwellstraat 50 · NL - 3316 GP Dordrecht  
 Tel. +31 - (0) 78 - 6550 155 - Fax +31 - (0) 78 - 6550 150  
 E-mail: info@aichieurope.com - www.aichieurope.com